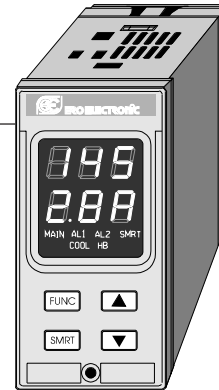




170.IU0.TMS.001



- USER MANUAL
- MANUEL DE SERVICE
- BEDIENUNGSANLEITUNG
- ISTRUZIONI D'USO

TMS

INDEX **GB**

MOUNTING REQUIREMENTS	1
DIMENSIONS AND PANEL CUT OUT	2
WIRING GUIDE LINES	3
PRELIMINARY HARDWARE SETTINGS	8
CONFIGURATION PROCEDURE	9
OPERATIVE MODE	14
SMART function	14
Output power OFF	15
Heater break down alarm	15
Direct access to the set point	16
Lamp test	16
OPERATIVE PARAMETERS	16
ERROR MESSAGES	19
GENERAL INFORMATION	21
DEFAULT PARAMETERS	A.1

INDEX **F**

MONTAGE	1
DIMENSIONS ET PERCAGE	2
RACCORDEMENTS ELECTRIQUES	3
MISE AU POINT PRELIMINAIRE	8
PROCEDURES DE CONFIGURATION	9
DIALOGUE UTILISATEUR	14
Algorithme SMART	15
Invalidation du signal de sortie	15
Alarme de dysfonctionnement	16
Accès direct à la modification directe du point de consigne	16
Lamp Test	16
PARAMETRES DE FONCTIONNEMENT	17
MESSAGES D'ERREUR	19
CARACTERISTIQUES TECHNIQUES	21
DEFAULT PARAMETERS	A.1

INHALTSVERZEICHNIS **D**

MONTAGE	1
ABMESSUNGEN UND FRONTTAFELAUSSCHNITT	2
ELEKTRISCHE ANSCHLÜSSE	3
HARDWAREEINSTELLUNGEN	8
KONFIGURATION	9
BETRIEBSMODUS	14
SMART-Algorithmus	15
Sperrung des Ausgangssignals	15
Heizleiterbruch-Alarm	16
Direkte Änderung des Sollwerts	16
Lamp Test	16
BETRIEBSPARAMETER	17
FEHLERMELDUNGEN	19
TECHNISCHE MERKMALE	21
DEFAULT PARAMETERS	A.1

INDICE **I**

MONTAGGIO	1
DIMENSIONI E FORATURA	2
COLLEGAMENTI ELETTRICI	3
IMPOSTAZIONI HARDWARE PRELIMINARI	8
PROCEDURE DI CONFIGURAZIONE	9
MODO OPERATIVO	14
Algoritmo SMART	15
Inibizione del segnale di uscita	15
Allarme di malfunzionamento del carico comandato tramite l'uscita principale	16
Accesso diretto alla modifica diretta del set point	16
Lamp Test	16
PARAMETRI OPERATIVI	17
MESSAGGI DI ERRORE	19
CARATTERISTICHE TECNICHE	21
DEFAULT PARAMETERS	A.1

II

MOUNTING REQUIREMENTS

Select a mounting location having the following characteristics:

- 1) it should be easy accessible also on the rear side.
- 2) there is no vibrations or impact
- 3) there are no corrosive gases (sulphuric gas, ammonia, etc.).
- 4) there are no water or other fluid (i.e. condense)
- 5) the ambient temperature is in accordance with the operative temperature of the instrument (from 0 to 50 °C).
- 6) the relative humidity is in accordance with the instrument specifications (20% to 85 % non condensing).

The instrument can be mounted on a panel up to 15 mm thick with a square cutout of 45 x 92 mm. For outline and cutout dimensions refer to Fig. 2. The surface texture of the panel must be better than 6,3 µm.

The instrument is shipped with rubber panel gasket (50 to 60 Sh).

To assure the IP65 and NEMA 4 protection, insert the panel gasket between the instrument and the panel as shown in fig. 1.

While holding the instrument against the panel proceed as follows:

- 1) insert the instrument through the panel gasket,
- 2) insert the instrument, with the panel gasket, through the panel cut out,
- 3) while pressing the instrument firmly against the panel, insert the mounting bracket and slide it up to the end of the case,
- 4) with a screwdriver, turn the screws with a torque between 0.3 and 0.4 Nm,

- 5) Make sure you cannot move the case within the cut out otherwise you do not have a NEMA 4X/IP65 protection.

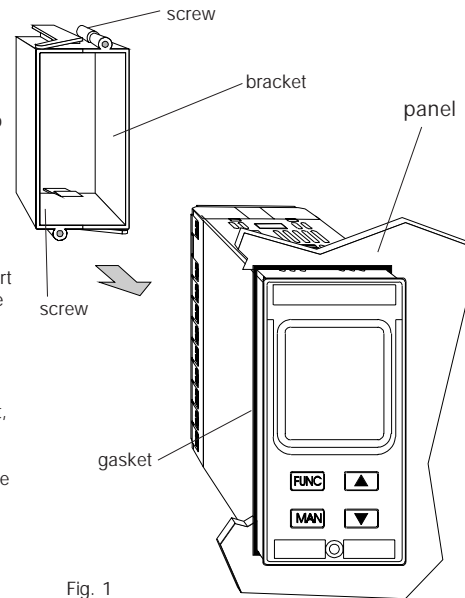


Fig. 1

DIMENSIONS AND PANEL CUT OUT

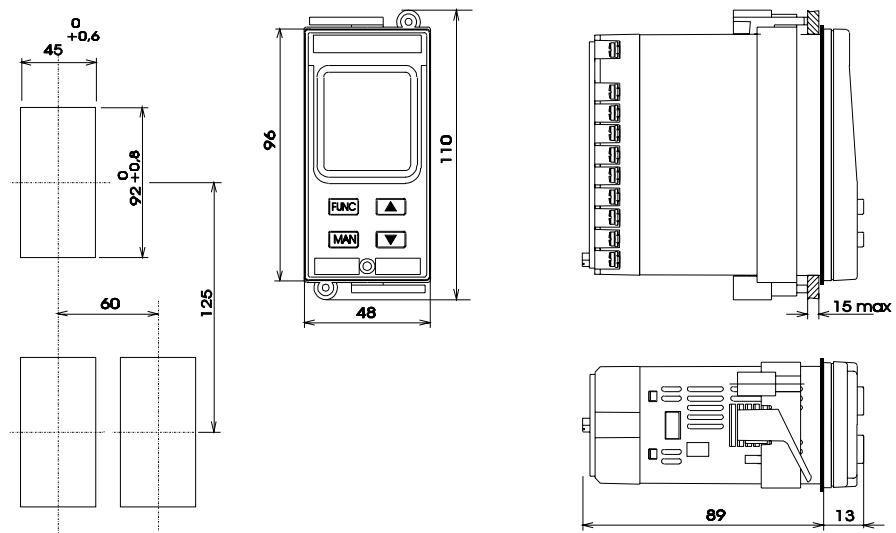


Fig. 2

WIRING GUIDELINES

Connections are to be made with the instrument housing installed in its proper location.

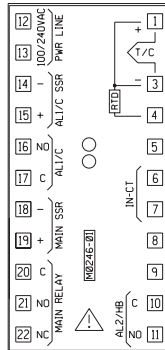


Fig. 3.A TERMINAL BLOCK (for 100/240 V AC models)

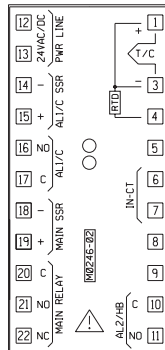


Fig. 3.B TERMINAL BLOCK (for 24 V AC/DC models)

A) MEASURING INPUT

NOTE: Any external components (like zener barriers etc.) connected between sensor and input terminals may cause errors in measurement due to excessive and/or not balanced line resistance or possible leakage currents.

THERMOCOUPLE INPUT

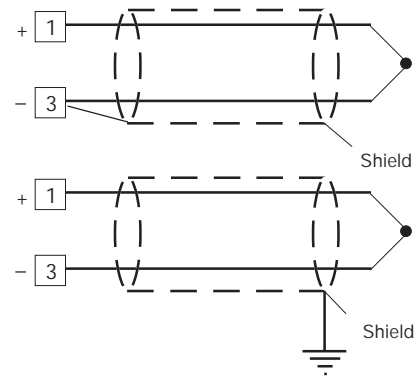


Fig. 4 THERMOCOUPLE INPUT WIRING

NOTE:

- 1) Don't run input wires together with power cables.
- 2) For TC wiring use proper compensating cable preferably shielded
- 3) If shielded cable is used, it should be grounded at one point only.

RTD INPUT

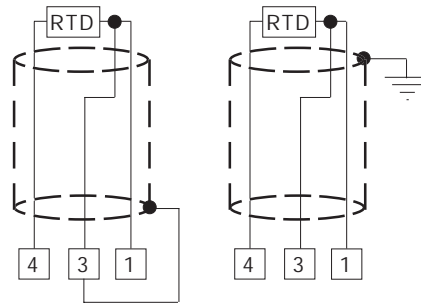


Fig. 5 RTD INPUT WIRING

NOTE:

- 1) Don't run input wires together with power cables.
- 2) Pay attention to the line resistance; a high line resistance (higher than 20 Ω /wire) may cause measurement errors.
- 3) If shielded cable is used, it should be grounded at one point only.
- 4) The resistance of the 3 wires must be the same.

B) CURRENT TRANSFORMER INPUT

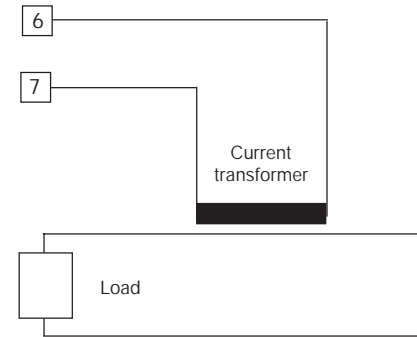


Fig. 6 CURRENT TRANSFORMER INPUT WIRING

Note:

- 1) The input impedance is equal to 10 Ω .
- 2) the maximum input current is equal to 50 mA (50 / 60 Hz).

C) RELAY OUTPUTS

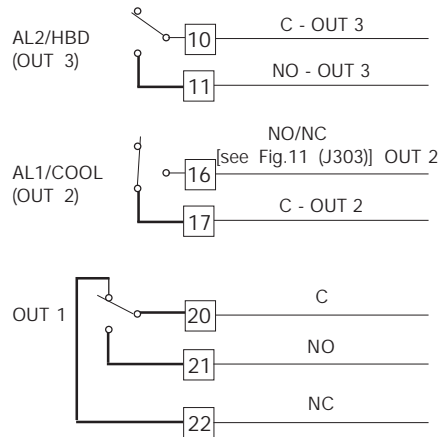


Fig. 7 RELAY OUTPUT WIRINGS

The output 2 and the NO contact of the output 1 are protected, by varistor, from inductive load with an inductive component up to 0,5 A.

The rating of the out 1 contact is equal to 3A/250 V AC on resistive load.

The rating of the out 2 and 3 contacts is equal to 2A/250 V AC on resistive load.

The number of operations is 1×10^5 at specified rating.

NOTES:

- 1) To avoid electric shock, connect power line at the end of the wiring procedure.
- 2) For power connections use No 16 AWG or larger wires rated for at last 75 °C.

- 3) Use copper conductors only.
- 4) Don't run input wires together with power cables.
- 5) Relay output and SSR drive output are both available. When a relay output is desired it is necessary to enable the SSR output and viceversa (see chapter "Preliminary hardware settings").

The following recommendations avoid serious problems which may occur, when using relay output for driving inductive loads.

INDUCTIVE LOADS

High voltage transients may occur when switching inductive loads.

Through the internal contacts these transients may introduce disturbances which can affect the performance of the instrument.

The internal protection (varistor) assures a correct protection up to 0.5 A of inductive component but the OUT 1 NC contact and out 3 are not protected.

The same problem may occur when a switch is used in series with the internal contacts as shown in Fig. 8.

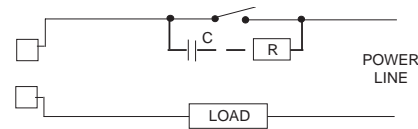


Fig. 8 EXTERNAL SWITCH IN SERIES WITH THE INTERNAL CONTACT

In these cases it is recommended to install an additional RC network across the external contact (or close to the non protected contact of the instrument) as shown in Fig. 8.

The capacity (C) and resistive (R) values are shown in the following table.

LOAD (mA)	C (μF)	R (Ω)	P. (W)	OPERATING VOLTAGE
<40 mA	0.047	100	1/2	260 V AC
<150 mA	0.1	22	2	260 V AC
<0.5 A	0.33	47	2	260 V AC

The cable involved in relay output wiring must be as far away as possible from input or communication cables.

D) LOGIC OUTPUT FOR SSR DRIVE

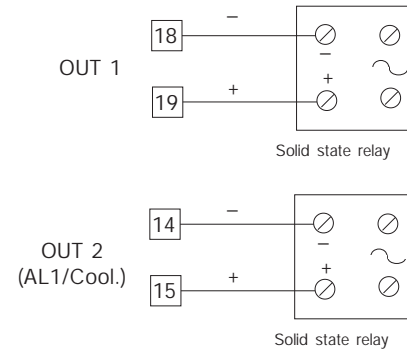


Fig. 9 SSR DRIVE OUTPUT WIRING.

These are time proportioning outputs.

Logic level 0: $V_{out} < 0.5$ V DC.

Logic level 1:

- 14 V + 20 % @ 20 mA

- 24 V + 20 % @ 1 mA.

Maximum current = 20 mA.

NOTES:

1) These outputs are not isolated.

A double or reinforced isolation between instrument output and power supply must be assured by the external solid state relay.

2) Relay output and SSR drive output are both available. When a SSR output is desired it is necessary to enable the relay output and viceversa (see chapter "Preliminary hardware settings").

E) POWER SUPPLY

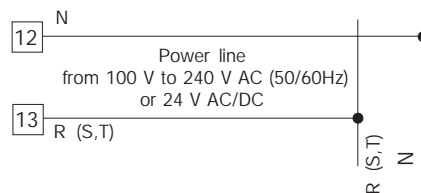


Fig. 10 POWER LINE WIRING

NOTE:

- 1) Before connecting the instrument to the power line, make sure that line voltage corresponds to the description on the identification label.
- 2) To avoid electric shock, connect power line at the end of the wiring procedure.
- 3) For supply connections use No 16 AWG or larger wires rated for at least 75 °C.
- 4) Use copper conductors only.
- 5) Don't run input wires together with power cables.
- 6) For 24 V AC/DC power supply, the input polarity is a do not care condition.
- 7) The power supply input has no fuse protection. Please, provide a fuse type T, 1 A, 250 V externally.
When fuse is damaged, it is advisable to verify the power supply circuit, so that it is necessary to send back the instrument to your supplier.
- 8) The safety requirements for Permanently Connected Equipment say:
 - a switch or circuit-breaker shall be included in the building installation;

- It shall be in close proximity to the equipment and within easy reach of the operator;
- it shall be marked as the disconnecting device for the equipment.

NOTE: a single switch or circuit-breaker can drive more than one instrument.

- 9) When a neutral line is present, connect it to terminal 12.

PRELIMINARY HARDWARE SETTINGS

- 1) Remove the instrument from its case.
- 2) For out 1 and 2 it is possible to select the desired output type by setting the J304 and J305 jumpers.

J304 (AL1, Cool.) 1-2 = SSR 2-3 = Relay
 J305 (OUT 1) 1-2 = SSR 2-3 = Relay

- 3) For out 2 it is possible to select the used relay contact (NO or NC) by setting J303 jumper.

J303 (AL1, Cool.) 1-2 = Out NO 2-3 = Out NC

Note : J303 is a soldering jumper and it is located on the soldering side of the card.

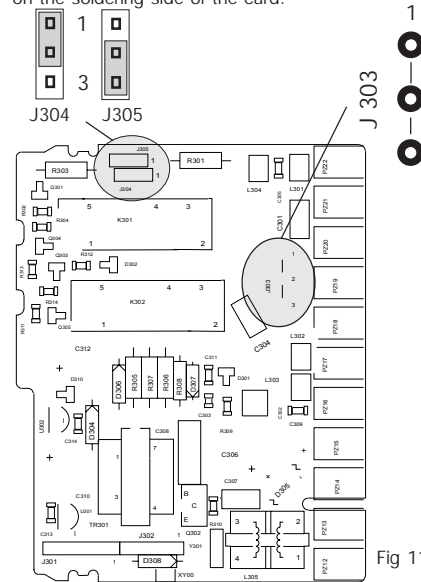


Fig. 11

OPEN INPUT CIRCUIT

These device are capable to detect leads break for TC and RTD inputs. For RTD input it shows this status as an overrange condition.

For thermocouple input only, it is possible, to select the overrange indication (standard) by closing CH2 and opening SH2 or underrange indication by closing SH2 and opening CH2. SH2 and CH2 are located on the soldering side of the CPU card (see fig.12).

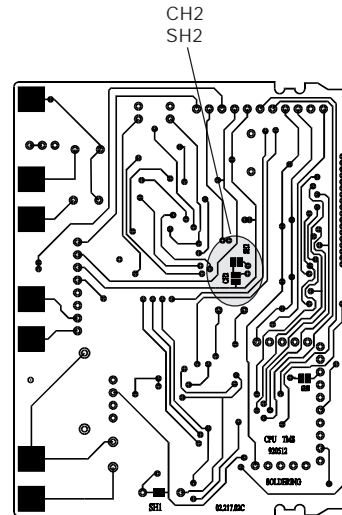


Fig. 12

GENERAL NOTES for configuration.

- FUNC = This will memorize the new value of the selected parameter and go to the next parameter (increasing order).
- SMRT = This will scroll back the parameters without memorization of the new value.
- ▲ = This will increase the value of the selected parameter
- ▼ = This will decrease the value of the selected parameter.

- 3) Re-insert the instrument.
- 4) Switch the instrument "ON".
The display will show CONf.
- NOTE** : If "CAL" indication is displayed, press immediately the ▲ push-button to return to the configuration procedure.
- 5) Push the FUNC push-button.
The instrument will show on the lower display the parameter code and on the upper display the actual parameter value.

CONFIGURATION PROCEDURE

- 1) Remove the instrument from its case.
- 2) Set the internal switch V2 in open condition

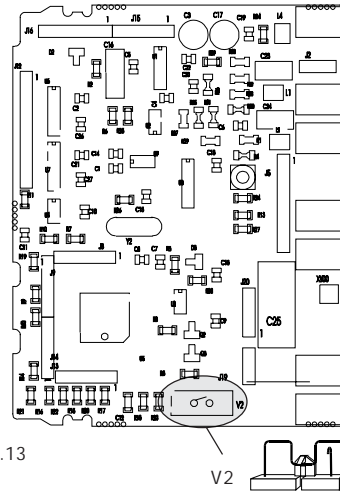


Fig. 13

P1 - Input type and standard range

0	= TC type L	range	0 / +800 °C
1	= TC type J	range	0 / +800 °C
2	= TC type K	range	0 / +999 °C
3	= TC type N	range	0 / +999 °C
4	= RTD type Pt 100	range	-199 / +500 °C
5	= RTD type Pt 100	range	-19.9 / +99.9 °C
6	= TC type T	range	0 / +400 °C
8	= TC type L	range	0 / +999 °F
9	= TC type J	range	0 / +999 °F
10	= TC type K	range	0 / +999 °F
11	= TC type N	range	0 / +999 °F
12	= RTD type Pt 100	range	-199 / +999 °F
13	= TC type T	range	0 / +752 °F

P2 = Initial scale value

Not present when P1 = 5
Initial scale value used by the PID algorithm to calculate the input span.
P2 is programmable within the input span selected by P1.
When P2 has been modified, the instrument assigns to the rL parameter the new P2 value.

P3 = Full scale value

Not present when P1 = 5
Full scale value used by the PID algorithm to calculate the input span.
P3 is programmable within the input span selected by P1.
When P3 has been modified, the instrument assigns to the rH parameter the new P3 value.
NOTE: the minimum input span (P3 - P2) is
- 300 °C or 600 °F for TC input
- 100 °C or 200 °F for RTD input.

P4 = Output configuration

H = heating
HC = heating/cooling

P5 = Main output type

rEL = Relay output.
SSr = SSR output.

NOTE:

Setting P5 = rEL, the C parameter will be automatically set to 20 s.
Setting P5=SSr, the C parameter will be automatically set to 2 s.

P6 = Cooling output type

Available only when P4 = HC
Air = air
OIL = oil
H2O = water

NOTE:

Setting P6 = Air, the C2 parameter will be automatically set to 10 s and rC parameter will be set to 1.00.
Setting P6=Oil, the C2 parameter will be automatically set to 4 s and rC parameter will be set to 0.80.

Setting P6=H2O, the C2 parameter will be automatically set to 2 s and rC parameter will be set to 0.40.

P7 = Alarm 1

Available only when P4 = H.
0 = Not provided
1 = Process alarm
2 = Band alarm
3 = Deviation alarm

P8 = Alarm 1 operative mode

Available only when P7 is different from 0 and P4 = H.
H.A = high alarm (outside band) with automatic reset
L.A = low alarm (inside band) with automatic reset
H.L= high alarm (outside band) with manual reset
L.L= low alarm (inside band) with manual reset

P9 = Stand by (mask) of the alarm 1

Available only when P7 is different from 0 and P4 = H.

OFF = stand by (mask) disabled
ON = stand by (mask) enabled

NOTE: the alarm stand by function allows to disable the alarm indication at instrument start up or, for band and deviation alarms, after a set point modification.

The alarm will be automatically reactivated when the initial alarm condition disappears.

P10 = Alarm 2

- 0 = Not provided
- 1 = Process alarm
- 2 = Band alarm
- 3 = Deviation alarm

Alarm 2 and HBD functions are in OR condition on the output 3 (see P16 parameter).

P11 = Alarm 2 operative mode and reset of the HBD alarm.

Available only when P10 is different from 0 or P16 is different from OFF.

H.A = high alarm (outside band) with automatic reset

L.A = low alarm (inside band) with automatic reset

H.L= high alarm (outside band) with manual reset

L.AL= low alarm (inside band) with manual reset

NOTE: The HBD alarm is a low alarm but it assumes the same reset type selected for alarm 2.

P12 = Stand by (mask) of the alarm 2

Available only when P10 is different from 0.

OFF = stand by (mask) disabled

ON = stand by (mask) enabled

For other details see P9 parameter.

P13 = Type of OFFSET applied to the measured value

P13 = 0 the OFFSET (P14) is constant all over the range.

P13 different from 0 P13 is the application point of the OFFSET selected by P14 parameter.

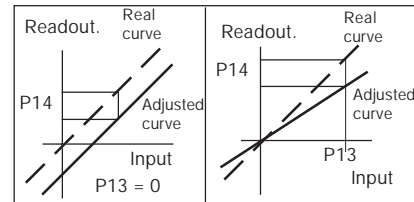
NOTE: the P13 and P14 parameters do not modify the measuring or read-out limits of the instrument so that when one of this limit has been exceeded, the instrument will show an out of range condition.

P14 = OFFSET value

When P13 = 0, P 14 is programmable, in engineering units, from -20% to + 20% of the input span (see P1).

When P13 ≠ 0 P14 is programmable, in engineering units, from -20% to + 20% of the P13 value.

NOTE: the P14 parameter can not be set lower than -199 units.



P15 = Threshold of the "Soft Start" function.

Threshold value, in engineering units, used by the instrument for automatic enabling of the "soft start" function (timed output power limiting).

At instrument start up, if the measured value is lower than the programmed threshold value, the instrument will automatically enable the output power limiter (see OLH parameter) and it maintains this limit for a time programmed by tOL parameter.

At instrument start up, if the tOL parameter is equal to "InF", the P15 setting has no effect.

P16 = Measure of the current consumed by the load driven by the main output (HBD)

- OFF = measure disabled
- n.O. = measure enabled during the ON period (logic status 1 for SSR output or contact NO for relay output)
- n.C. = measure enabled during the OFF period (logic status 0 for SSR output or contact NC for relay output)

P17 = Full scale of the current transformer.

- Available only when P16 is different from OFF.
- 10 = 10 A (resolution: 0.1 A)
- 25 = 25 A (resolution: 1 A)
- 50 = 50 A (resolution: 1 A)
- 100 = 100 A (resolution: 1 A)

P18 = Safety lock

- 0 = device unlocked. All the parameters can be modified
- 1 = device locked. No one parameters can be modified exception made for SP.
- From 2 to 499 = during operative mode, SP parameter can be modified and this number allows to enable/disable the modification of all the other parameters.
- From 500 to 999 = SP, A1 and A2 parameters can be modified and this number allows to enable/disable the modification of all the other parameters.

NOTE: After FUNC push-button pressure it will be impossible to display this value again. If you don't remember the old key, set a new value.

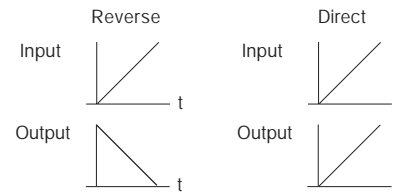
The configuration procedure is completed and the instrument will show " - . - . - ." on both displays. When it is desired to end the configuration procedure push the FUNC push-button; the display will show "COnF".

When it is desired to access to the advanced configuration parameter, proceed as follows:
1) using ▲ and ▼ push-button set the 217 code.
2) push the FN push-button; the instrument will start the auxiliary configuration procedure and it will show the following additional parameters.

P19 - Main output action

- Available only when P4 = H.
- r = Reverse (heating)
- d = direct (cooling)

Note : when P4 = HC, this parameter is equal to "r".



P21 - Alarm 1 output action

- Available only when P7 is different from 0 and P4 is equal to H.
- r = reverse (relay de-energized in alarm condition).
- d = Direct (relay energized in alarm condition)

P22 - Alarm 2 output action

Available only when P10 is different from 0 and P16 is different from "OFF".

- r = reverse (relay de-energized in alarm condition).
- d = Direct (relay energized in alarm condition)

P23 - Automatic modification of the "relative cooling gain"

Available only when P4=HC.

- OFF = The SMART function will **NOT** modify the "relative cooling gain" parameter value.
- ON = The SMART function will modify the "relative cooling gain" parameter value.

P24 - Control output maximum rate of rise

This parameter allows to set the maximum rate of rise of the control output.

It is programmable from 1 to 10 % of the output signal per second.

Setting a value greater than 10%/s the upper display will blank and no limit is applied.

P25 - Display of the protect parameter enabling/disabling.

Available only when P18 is different from 0.

- OFF = protected parameter cannot be displayed
- ON = protected parameter can be displayed

P26 - SMART function enabling/ disabling

- 0 = The SMART function is disabled
- 1 = The SMART function enabling/disabling is **NOT** protected by the safety key.
- 2 = The SMART function enabling/disabling is protected by the safety key.

P27 - Maximum value of the proportional band settable by the SMART function

Available only when P26 is different from 0.

This parameter may be programmed from P28 or P29 value to 99.9.

P28 - Minimum value of the proportional band settable by the SMART function

Available only when P4=H and P26 is different from 0.

This parameter may be programmed from 1.0 % to P27 value.

P29 - Minimum value of the proportional band settable by the SMART function in heating/ cooling control only

Available only when P4=HC and P26 is different from 0.

This parameter may be programmed from 1.5 % to P27 value.

P30 - Minimum value of integral time settable by SMART function.

Available only when P26 is different from 0.

This parameter may be programmed from 00.1 (mm.s) to 02.0 (mm.s).

P31 - Extension of the anti-reset-wind up

Range: from -30 to +30 % of the proportional band.

NOTE: a positive value increases the high limit of the anti-reset-wind up (over set point) while a negative value decreases the low limit of the anti-reset-wind up (under set point).

The auxiliary configuration is finished and the instrument will show "CnF" on the upper display.

OPERATIVE MODE

- 1) Remove the instrument from its case.
- 2) Set the V2 jumper (see fig. 13) in close condition.
- 3) Re-insert the instrument.
- 4) Switch on the instrument.

The upper display will show the measured value while the lower display will show the programmed set point (we define this display condition as "normal display mode").

Note: When a ramp is applied to the set point value (see rP parameter), the displayed set point value may be different from the operative set point.

When the HBD function is configured, the control output is enabled and the instrument is in normal display mode, pushing the ▲ push-button the lower display will show the current, followed by the "A" symbol, consumed by the load driven by the main output.

NOTE: the time out has no effect on this indication.

When it is desired to come back to the normal display mode, push the ▲ push-button again.

SMART function

The SMART algorithm is a NEW self-tuning function of the instrument. It is used by the instrument to calculate and set automatically the control parameters.

The SMART algorithm may be ever operative; in this case it will adapt continuously the control parameter in order to perform the best control action.

To start "SMART" function, depress the SMRT push-button for more than 1.5 seconds when the instrument is in NORMAL DISPLAY MODE, the SMRT indicator will start blinking or lighting according to the special function performing.

When it is desired to disable the SMART function, push the SMRT push-button again, the SMRT indicator will turn to OFF.

NOTES:

- 1) During the SMART function operation, the relative cooling gain (if present) is limited within the following ranges:

Cooling element	range
Air	0.85 to 1.00
OIL	0.80 to 0.90
H ₂ O	0.30 to 0.60
- 2) The SMART function use a derivative action equal to 1/4 of the integral action.
- 3) The limits of the proportional band and of the integral time settable by the SMART function are programmed by P27, P28, P29 and P30 parameter.
- 4) The enabling/disabling of the SMART function may be under safety key protection.
- 5) When SMART function is enabled, it is impossible to modify the Pb, ti and td parameter; for rC parameter see P23 parameter.

OUTPUT POWER OFF

The TMS allows to turn OFF manually the output signal in order to stop the control (the instrument will operate as an indicator only).

To turn OFF the output signal proceed as follows:

- 1) push and maintain the pressure on the ▲ push-button
- 2) push FUNC push-button.
- 3) Maintaining the pressure on both push-buttons for more than 3 seconds; the lower display will show "OFF" and the output signal will be inhibited.

When it is desired to come back to the normal control, repeat the actions 1, 2 and 3; the instrument goes automatically to the NORMAL DISPLAY MODE.

- NOTE:**
- 1)The instrument memorizes the output status.
 - 2)If the output is turned OFF when the SMART function was performing the first part of the algorithm (LED SMRT is flashing), the SMART function will be aborted and when the instrument comes back to the normal control, the SMART function will be disabled.
If the output is turned OFF when the SMART function was performing the adaptive part of the algorithm (LED SMRT is lit), the SMART function will be stopped and, when the instrument comes back to the normal control, the smart function also will be activated.

HEATER BREAK DOWN ALARM

This alarm allows to verify, continuously, the current consumed by the load driven by the main output and generates an alarm condition when this current is lower than a programmable threshold.

To display the main load consumption, push the ▲ push-button when the instrument is in NORMAL DISPLAY MODE.

The upper display will show the measured value while the lower display will show the main load consumption (in Ampere) followed by the engineering unit (A).

To come back to the normal display mode, push the ▲ push-button.

When an alarm condition is detected, the LED AL2/HB will be flashing and the relay of the out 3 (alarm 2 OR heater break down alarm) will be activated.

DIRECT ACCESS TO THE SET POINT MODIFICATION

The instrument allows to modify the set point value without to use the FUNC push-button. When a rapid set point modification is required, proceed as follows:

- 1) Pushing, for more than 3 seconds, the ▲ or ▼ push-button; the set point value, shown on the lower display, will start to change.
- 2) Using the ▲ and ▼ push-buttons, it is possible to set the desired value.
- 3) When the desired value is reached, do not push any push-button for more than 3 seconds, the new set point will become operative after 3 seconds from the last push-button pressure.

If, during this procedure, it is desired to lose the new value, push the FUNC push-button; the instrument automatically returns to the normal display mode without to memorize the new set point.

LAMP TEST

When it is desired to verify the display efficiency, push ▼ and FUNC push-buttons. The instrument will turn ON, with a 50 % duty cycle, all the LED of the display (we define this function "LAMP TEST").

No time out is applied to the LAMP TEST. When it is desired to come back to the normal display mode, push ▼ and FUNC push-buttons again.

No other keyboard function is available during LAMP TEST.

OPERATIVE PARAMETERS

Operative parameter modification

Push the FUNC push-button, the lower display will show the code while the upper display will show the value or the status (ON or OFF) of the selected parameter.

By ▲ or ▼ push-button it is possible to set the desired value or the desired status.

Pushing the FUNC push-button, the instrument memorizes the new value (or the new status) and goes to the next parameter.

A pressure of the SMRT push-button allows to come back to the previous parameter without to memorize the new set of the actual parameter.

Some parameters may be not visualized according to the specific instrument configuration.

- NOTE:**
- 1) If, during operative parameter modification, no push-button is pressed for more than 10 seconds, the instrument reverts automatically to the "normal display mode" without to memorize the last parameter setting.
 - 2) The instrument do not display all parameter but it select the parameter in accordance with:
 - a) the instrument configuration
 - b) P25 setting
 - c) the proportional band setting.

Param.Description

- SP **Main set point**
Range: from rL to rH.
- n.rS **Manual reset of the alarms**
This parameter is available only when one alarm with manual reset has been programmed.
Set ON and push the FUNC push-button to reset the alarms.
- nnn **Software key for parameter protection.**
This parameter is skipped if P18 = 0 or 1.
The instrument will shows the safety key status:
ON = the instrument is in LOCK condition
OFF = the instrument is in UNLOCK condition
When it is desired to switch from LOCK to UNLOCK condition, set a value equal to P18 parameter
When it is desired to switch from UNLOCK to LOCK condition, set a value different from P18 parameter.
- A1 **Alarm 1 threshold value**
This parameters is present if the alarm 1 is configured only.
Ranges:
- From P2 to P3 for process alarm.
- From 0 to 500 units for band alarm.
- From -199 to 500 units for deviation alarm.
- A2 **Alarm 2 threshold value**
For other details see A1 parameter.
- H1 **Alarm 1 hysteresis**
This parameters is present if the alarm 1 is configured only.
Range: From 0.1% to 10.0% of the input span or 1 LSD.

Note: If the hysteresis of a band alarm is larger than the alarm band, the instrument will use an hysteresis value equal to the programmed band minus 1 digit.

- H2 **Alarm 2 hysteresis**
For other details see H1 parameter.
- Pb **Proportional band.**
Range: from 1.0 % to 99.9 % of span for heating output.
From 1.5 % to 99.9 % of span for heating/cooling output.
When Pb parameter is set to 0, the instrument performs an ON-OFF control; the ti, td, IP, C, C2, rC, OLP, OLH and tOL parameters are skipped and SMART function is disabled.
Note: When SMART is enabled, the Pb parameter range is limited by P27, P28 and P29 parameters.
- HS **Hysteresis for ON/OFF control action**
It is available only when Pb=0.
Range: from 0.1% to 10.0% of the input span.
- ti **Integral time**
"ti" is skipped if Pb=0 (ON/OFF action).
Range: from 00.1 to 20.0 [mm.ss]. Above this value the display blanks and integral action is excluded
Note: When SMART is enabled, the minimum value of the integral time is limited by P30 parameter.
- td **Derivative time**
"td" is skipped if Pb=0 (ON/OFF action).
Range: from 0.01 to 9.59 m.ss. Setting the 0 value the derivative action is excluded.
Note: When SMART is enabled the td value will be equal to 1/4 of the integral time.

IP	<p>Integral pre-load "IP" is skipped if Pb=0 (ON/OFF action). Ranges: - from 0 to 100 % when P4 = H - from -100 to 100 % when P4 = HC</p>	rP	<p>Ramp applied to the set point changes Range: from 1 to 100 digit/min. Above this value the display shows "inf" and the transfer will be a step transfer.</p>
C	<p>Output 1 cycle time C is available if Pb parameter is different from 0 only. Range: from 1 to 200 s.</p>	OLH	<p>Control output high limit "OLH" is skipped if Pb=0 (ON/OFF action). Range: - from 0 to 100 % when P4 = H - from -100 to 100 % when P4 = HC</p>
C2	<p>Output 2 cycle time C2 is available only if P4 = "HC" and Pb is different from 0 only. Range: from 1 to 200 s.</p>	tOL	<p>Time duration of the output power limiter "tOL" is skipped if Pb=0 (ON/OFF action). Range: from 1 to 100 min. Above this value the display shows "inf" and the limit will be ever enabled. Note: The tOL can be modified but the new value will become operative only at the next instrument start up.</p>
rC	<p>Relative Cooling gain "rC" is skipped if Pb=0 (ON/OFF action) or P4 = H. Range: from 0.20 to 1.00 Note: When SMART function is enabled, the "rC" parameter is limited in accordance to the selected coolant: - from 0.85 to 1.00 when P6 = Air - from 0.80 to 0.90 when P6 = OIL - from 0.30 to 0.60 when P6 = H2O</p>	Hbd	<p>Threshold of the heater break down alarm "Hbd" is available only when P16 is different from OFF. Range: within the current transformer range (see P17).</p>
OLP	<p>Dead band/Overlap between H/C outputs "OLP" is skipped if Pb=0 (ON/OFF action) or P4 = H. A negative OLAP value shows a dead band while a positive value shows an overlap. Range: from -20 to 50.</p>		
rL	<p>Set point low limit Range: from min. range value (P2) to rH. Note: When P2 has been modified, rL will be realigned to it.</p>		
rH	<p>Set point high limit Range: From rL to full scale value (P3). Note: When P3 has been modified, rH will be realigned to it.</p>		

ERROR MESSAGES

OVERRANGE, UNDERRANGE AND BURNOUT INDICATIONS

The instrument shows the OVERRANGE condition with the following indication on the upper display:



The instrument shows the UNDERRANGE condition with the following indication on the upper display:



The sensor leads break can be signalled as:

- for TC input : OVERRANGE or UNDERRANGE selected by a solder jumper (see Fig. 12).
- for RTD input : OVERRANGE

Sensor leads short circuit detection:

On RTD input, a special test is provided to signal OVERRANGE when input resistance is less than 15 ohm (Short circuit sensor detection).

NOTE: When:

- The instrument is set for one output only and an OVERRANGE is detected, the OUT 1 turns OFF (if reverse action) or ON (if direct action).
- The instrument is set for heating/cooling action and an OVERRANGE is detected, OUT 1 turns

OFF and OUT 2 turn ON.

- The instrument is set for one output only and an UNDERRANGE is detected, the OUT 1 turns ON (if reverse action) or OFF (if direct action).
- The instrument is set for heating/cooling action and an UNDERRANGE is detected, OUT 1 turns ON and OUT 2 turns OFF.

ERRORS

Diagnostics are made at instrument switch-on and during normal mode of operation. If a fault condition (error) is detected, the lower display will show the message "Er" while the upper display shows the relative error code.

ERROR LIST

- 100 Write EEPROM error.
- 150 General hardware error on the CPU card.
- 200 Tentative to write on protected memory.
- 201 - 2xx Configuration parameter error. The two less significant digit's shown the number of the wrong parameter (ex. 209 Err show an Error on P9 parameter)
- 301 RTD input calibration data error
- 305 TC input calibration data error
- 307 RJ calibration data error
- 310 Current transformer input calibration data error
- 400 Control parameters error
- 500 Auto-zero error.
- 502 RJ error.
- 510 Error during calibration procedure.



NOTE

- 1) When a configuration parameter error is detected, it is sufficient to repeat the configuration procedure of the specify parameter.
- 2) If an error 400 is detected, push contemporarily the ▼ and ▲ push-buttons for loading the default parameters then repeat control parameter setting.
- 3) For all the other errors, contact your supplier.



GENERAL INFORMATIONS

GENERAL SPECIFICATIONS

Case: PC-ABS black color; self-extinguishing degree: V-0 according to UL 94.

Front protection - designed and tested for IP 65 (*) and NEMA 4X (*) for indoor locations (when panel gasket is installed).

(*) Test were performed in accordance with CEI 70-1 and NEMA 250-1991 STD.

Installation: panel mounting by means of mounting bracket. Instrument removable from case.

Rear terminal block: 21 screw terminals (screw M3, for cables from ϕ 0.25 to ϕ 2.5 mm² or from AWG 22 to AWG 14) with connection diagrams and safety rear cover.

Dimensions: 48 x 96 mm, depth 89 mm (DIN 43700).

Weight: 600 g.

Power supply:

- 100V to 240V AC 50/60Hz (-15% to + 10% of the nominal value).

- 24 V AC/DC (+ 10 % of the nominal value).

Power consumption: 6 VA max.

Insulation resistance: > 100 M Ω according to IEC 1010-1.

Dielectric strength: 1500 V rms according to IEC 1010-1.

Sampling time: 500 ms.

Resolution: 30000 counts.

Accuracy (@ 25 °C): +0.2% of the input span +1 °C.

Common mode rejection: 120 dB at 50/60 Hz.

Normal mode rejection: 60 dB at 50/60 Hz.

Electromagnetic compatibility and safety requirements: This instrument is marked CE.

Therefore, it is conforming to council directives 89/336/EEC (reference harmonized standard EN 50081-2 and EN 50082-2) and to council directives 73/23/EEC and 93/68/EEC

(reference harmonized standard EN 61010-1).

Installation category: II

Temperature drift: (RJ excluded)

< 400 ppm/°C for RTD input with -19.9/99.9 °C range and TC type T.

< 200 ppm/°C for all the other ranges.

Operative temperature: from 0 to 50 °C.

Storage temperature : -20 to +70 °C

Humidity: from 20 % to 85% RH, non condensing.

Protections:

- 1) WATCH DOG circuit for automatic restart.
- 2) DIP SWITCH for protection against tampering of configuration and calibration parameters.

INPUTS

A) THERMOCOUPLE

Type: L, J, K, N, T programmable by front push-buttons.

Line resistance: max. 100 Ω with error <+0.1% of the input span.

Burnout: Up or down scale selectable by soldering jumpers.

Reference junction: automatic compensation from 0 to +50 °C.

Reference junction drift: 0.1 °C/°C.

Input impedance: > 1 M Ω

Calibration: according to IEC 584-1 and DIN 43710 - 1977 (TC L)

STANDARD RANGE TABLE

TC Type	Measuring ranges	
	L	0 / + 800 °C
J	0 / + 800 °C	0 / + 999 °F
K	0 / + 999 °C	0 / + 999 °F
T	0 / + 400 °C	0 / + 752 °F
N	0 / + 999 °C	0 / + 999 °F

B) RTD (Resistance Temperature Detector)

Type: Pt 100 3 wires connection.

Current: 135 μ A.

Line resistance: automatic compensation up to 20 Ω /wire with :

- error $<+0.1\%$ of the input span for range -19.9 a 99.9 $^{\circ}$ C.

- not measurable error for the other ranges.

Engineering units: $^{\circ}$ C or $^{\circ}$ F programmable.

Burnout: up scale. **NOTE:** a special test is provided to signal OVERRANGE when input resistance is less than 15 Ω .

Calibration: according to DIN 43760.

STANDARD RANGE TABLE

RTD Type	Measuring range	
RTD Pt 100	-199 - +500 $^{\circ}$ C	-199 - +999 $^{\circ}$ F
RTD Pt 100	-19.9 - +99.9 $^{\circ}$ C	-----

C) CURRENT TRANSFORMER INPUT

Input current: 50 mA AC.

Read-out: selectable among 10, 25, 50 or 100 A.

Resolution:

- 0.1 A for 10 A range.
- 1 A for all the other ranges.

Active period:

- for relay output: NO or NC programmable
- for SSR drive output: logic level 1 or 0 programmable.

Minimum time duration of the active period:
50 ms.

CONTROL ACTIONS

Control actions: PID + SMART

Proportional band: from 1.0 % (for heating action) or 1.5 % (for heating and cooling action) to 99.9 % of the input span.

Setting $P_b = 0$ an ON/OFF control is performed.

Hysteresis (for ON/OFF control action): from 0.1 % to 10.0 % of the input span.

Integral time: from 10 seconds to 20 minutes; resolution 10 second. Setting a value upper than 20 minutes the integral action will be excluded.

Derivative time: from 0 to 9' 59".

Integral preload:

- from 0 to 100% for one control output.
- from -100 to 100% for two control outputs

Main output cycle time: from 1 to 200 s.

Cooling cycle time: from 1 to 200 s

Relative cooling gain: from 0.20 to 1.00

NOTE: the P_b , t_i , t_d and rCG parameter may be limited when the SMART function is enabled.

Overlapping/dead band: from - 20 % to 50 %

CONTROL OUTPUTS

Type: time proportioning

Output updating time: 500 ms.

Output resolution: 1% of the output span.

Action: direct or reverse programmable.

Output power limiter:

- from 0.0 to 100.0 % for one control output.
 - from -100.0 to +100.0% for two control outputs
- This function may be operative at instrument power up for a programmable time (to avoid thermal shock or to pre-heat the plant).

OUTPUT 1

- a) Relay output with SPDT contact;
contact rating 3A / 250 V AC on resistive load.
- b) Logic voltage for SSR drive.
Logic status 1: 24 V +20% @ 1 mA.
14 V +20% @ 20 mA
Logic status 0: <0.5 V

Output action: direct/reverse programmable.
The relay or SSR output selection is made by internal jumper and configuration parameter.

OUTPUT 2 - cooling / alarm 1

- a) Relay output with SPST contact;
contact rating 2A / 250 V AC on resistive load
- b) Logic voltage for SSR drive.
Logic status 1: 24 V +20% @ 1 mA.
14 V +20% @ 20 mA
Logic status 0: <0.5 V

The relay or SSR output selection is made by internal jumper and configuration parameter.

ALARMS

The instrument may accommodate up to 2 independent alarms.
The alarm 1 is a standard features of the instrument while the alarm 2 is an option.
Each alarm can be programmed as follows:

Process alarm:

Operative mode: High or low programmable.

Threshold: Programmable in engineering units within the input span (P3 - P2).

Band alarm

Operative mode: inside or outside band.

Threshold: programmable from 0 to 500 units.

Deviation alarm

Operative mode: upper or lower the programmed value.

Threshold: programmable from - 500 to +500 units.

Action: direct or reverse programmable

Threshold resolution: 1 digit.

Alarm hysteresis: programmable from 0.1 % to 10.0 % of the input span.

Alarm reset: automatic or manual programmable

Stand by (mask) alarm: Each alarm can be programmed with or without mask function.

This function allows to delete not desired alarm indication at instrument power up or after a set point modification.

Alarm indications: the AL1/COOL LED lit when the alarm 1 is in ON condition.

The AL2/HBD LED operate as follows:

HBD status	AL2 status	LED AL2/HBD
0	0	OFF
0	1	ON
1	0	flashing at slow rate
1	1	Flashing at high rate

Alarm outputs:

- 1) Alarm 1 : relay output with SPST contact;
Contact rating 3A/250V AC on resistive load
 - 2) Alarm 2 : relay output with SPST contact;
Contact rating 2A/250V AC on resistive load
- NOTE:** Alarm 2 and HBD alarm are in OR condition on the output 2 relay.

HEATER BREAK DOWN ALARM

This alarm allows to verify, continuously, the current consumed by the load driven by the main output and to generate an alarm condition when this current is lower than a programmable threshold.

Resolution: 1 digit.

Alarm hysteresis: 1 % of the selected range.

Alarm indication: 'AL2 HB" LED flash when the alarm is in ON condition.

SPECIAL FUNCTION

Output power OFF

This function allows to turn OFF manually the output signal and to inhibit the control algorithm and the alarm functions.

In this way the controlled element is turned OFF and the instrument operate as an indicator.

When the control restart, the instrument operates as follows:

- the integral action will be set to 0.
- the soft start function and alarm masking will be reactivated.

LAMP TEST

This function allows to verify the correct LED operativity.

MAINTENANCE

- 1) REMOVE POWER FROM THE POWER SUPPLY TERMINALS AND FROM RELAY OUTPUT TERMINALS
- 2) Remove the instrument from case.
- 3) Using a vacuum cleaner or a compressed air jet (max. 3 kg/cm²) remove all deposit of dust and dirt which may be present on the louvers and on the internal circuits trying to be careful for not damage the electronic components.
- 4) To clean external plastic or rubber parts use only a cloth moistened with:
 - Ethyl Alcohol (pure or denatured) [C₂H₅OH]
 - or
 - Isopropil Alcohol (pure or denatured) [(CH₃)₂CHOH] or
 - Water (H₂O)
- 5) Verify that there are no loose terminals.
- 6) Before re-inserting the instrument in its case, be sure that it is perfectly dry.
- 7) re-insert the instrument and turn it ON.

MONTAGE

Pour le montage choisir un endroit ayant les caractéristiques suivantes:

- 1) accès facile même à l'arrière
- 2) sans vibrations ou chocs
- 3) absence de gaz corrosifs (gaz sulfurés, ammoniac, etc.)
- 4) absence d'eau ou d'autres liquides
- 5) température ambiante comprise entre 0 et 50°C
- 6) humidité relative de l'air comprise entre 20 et 85% HR et absence de condensation.

L'instrument peut être monté sur un panneau d'épaisseur maxi. 15 mm après avoir exécuté un trou rectangulaire de 45 x 92 mm.

Pour les dimensions d'encombrement et de perçage, se reporter à la Fig. 2.

La rugosité superficielle doit être inférieure à 6,3 µmm.

L'instrument est doté d'un joint en caoutchouc pour panneau (de 50 à 60 Sh).

Pour garantir les protections IP65 et NEMA 4X, introduire le joint livrée avec l'appareil entre l'instrument et le panneau (voir Figure 1).

Pour fixer l'instrument au panneau, agir comme suit:

- 1) enfile le joint sur le boîtier de l'instrument.
- 2) Introduire l'instrument dans le trou.
- 3) En maintenant fermement l'instrument sur le panneau, introduire la bretelle de fixation.
- 4) Au moyen d'un tourne-vis, serrer les vis à un couple compris entre 0,3 et 0,4 Nm.

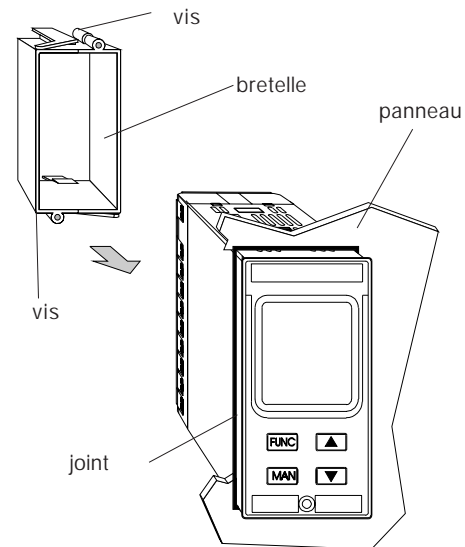


Fig. 1

F 1

DIMENSIONS ET PERCAGE

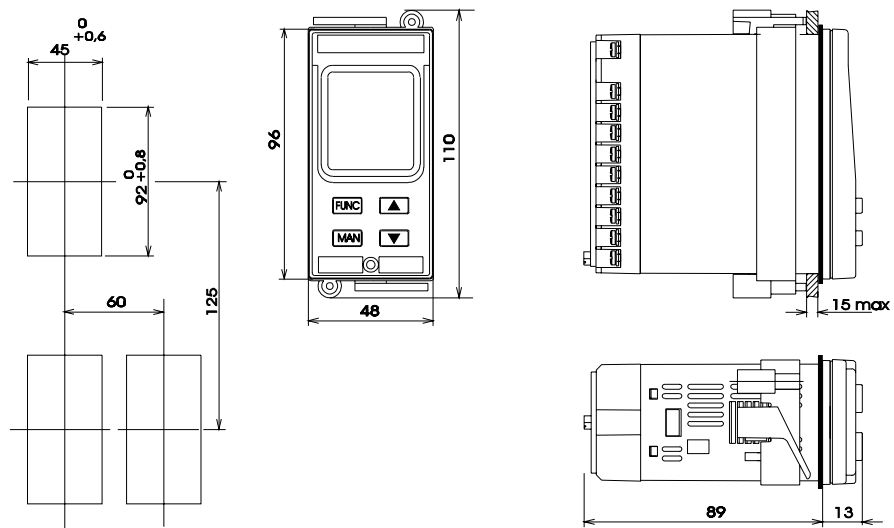


Fig. 2

F 2

ENTREE POUR THERMORESISTANCE

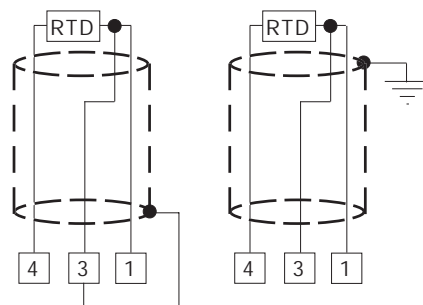


FIG. 5 RACCORDEMENT DE THERMORESISTANCES

NOTE:

- 1) Ne pas placer les câbles des signaux parallèlement ou à proximité des câbles de puissance ou à des sources de perturbations.
- 2) Faire attention aux résistances de ligne, une résistance de ligne trop haute (supérieure à 20 W/fil) peut provoquer des erreurs de mesure.
- 3) Quand on utilise un câble blindé, une seule extrémité du blindage doit être raccordée à la terre.
- 4) Les 3 fils doivent avoir la même impédance.

B) ENTREE A PARTIR DE TRANSFORMATEUR AMPEREMETRIQUE

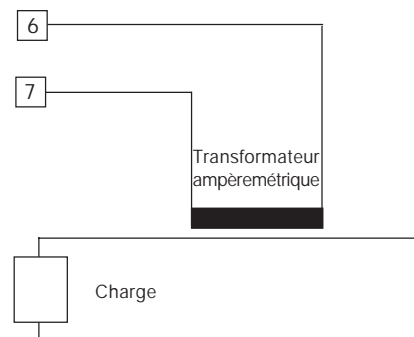


FIG. 6 RACCORDEMENT DU TRANSFORMATEUR AMPEREMETRIQUE

NOTE:

- 1) L'impédance d'entrée est égale à 10 Ω .
- 2) Le courant maxi. d'entrée est égal à 50 mA (50 / 60 Hz).

C) SORTIES A RELAIS

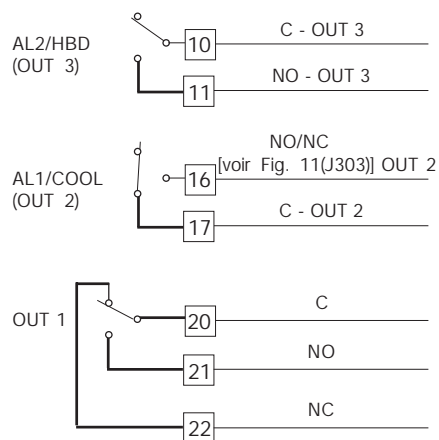


FIG. 7 RACCORDEMENT DES SORTIES A RELAIS

La sortie 2 et le contact NO de la sortie 1 sont protégés au moyen de varistances, pour des charges dont la composante inductive maxi. est 0,5A

La capacité du contact correspondant à la sortie 1 est égale à 3A/250V c.a sur charge résistive.

La capacité du contact correspondant aux sorties 2 et 3 est égale à 2A/250V c.a sur charge résistive.

Le nombre d'opérations est égal à 1×10^5 fois la capacité indiquée.

NOTE:

- 1) Pour éviter le risque d'électrocution ne raccorder l'alimentation qu'après avoir effectué tous les autres raccordements.

- 2) Les raccordements de puissance doivent être effectués à l'aide de câbles n° 16 AWG ou supérieurs, résistant à une température mini. de 75°C.
- 3) Utiliser exclusivement des conducteurs en cuivre.
- 4) Eviter de placer les câbles de puissance parallèlement ou à proximité des câbles de signaux.
- 5) La sortie à relais et la sortie SSR sont disponibles. Quand la sortie à relais est utilisée il faut invalider la sortie SSR (voir chapitre "Mise au point préliminaire du matériel informatique")

Les recommandations qui suivent peuvent éviter de sérieux problèmes provoqués par l'utilisation de la sortie 3 ou du contact NC de la sortie 1 pour piloter des charges inductives.

CHARGES INDUCTIVES

Dans la commutation des charges inductives, certaines charges inductives peuvent provoquer des transitoires et des perturbations qui peuvent compromettre les prestations de l'instrument.

Des problèmes analogues peuvent être créés par la commutation des charges via un contact extérieur monté en série sur le contact de sortie de l'instrument.

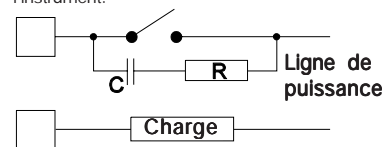


FIG. 8 CONTACT EXTERIEUR MONTE EN SERIE SUR LE CONTACT DE SORTIE DE L'INSTRUMENT

En de tels cas, nous recommandons de raccorder un filtre RC en parallèle avec le contact extérieur (ou avec le contact intérieur non protégé) suivant les indications fig. 8.
Les valeurs de la capacité (C) et de la résistance (R) sont indiquées au tableau suivant.

CHARGE (mA)	C (μF)	R (Ω)	P. (W)	TENSION DE SERVICE
<40 mA	0.047	100	1/2	260 V AC
<150 mA	0.1	22	2	260 V AC
<0.5 A	0.33	47	2	260 V AC

De toute façon, les câbles raccordés aux sorties à relais, doivent être aussi éloignés que possible des câbles des signaux.

D) SORTIE LOGIQUE POUR LA COMMANDE DE SSR

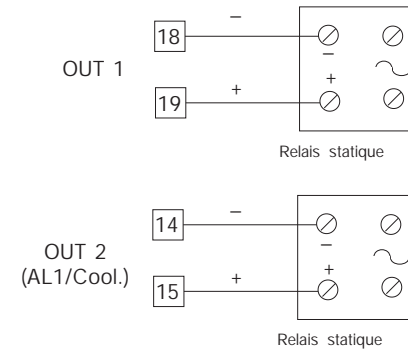


FIG. 9 RACCORDEMENT POUR LE PILOTAGE DE RELAIS STATIQUES

Il s'agit d'une sortie à temps proportionnel.

Niveau logique 0: Vout < 0.5 V c.c.

Niveau logique 1: Courant maxi. = 20 mA.

- 14 V + 20 % @ 20 mA

- 24 V + 20 % @ 1 mA.

NOTES: Ces sorties NE SONT PAS isolées

- 1) Un isolement double ou renforcé entre l'instrument et la ligne de puissance doit être effectué par le relais statique extérieur.
- 2) La sortie à relais et la sortie SSR sont toutes deux disponibles. Quand la sortie SSR est utilisée il faut invalider la sortie relais (voir chapitre "Mise au point préliminaire du matériel informatique").

E) ALIMENTATION

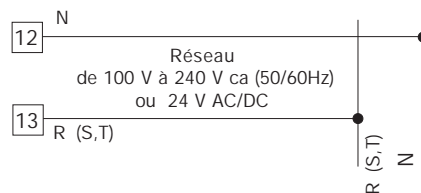


Fig. 10 RACCORDEMENT A L'ALIMENTATION

NOTE:

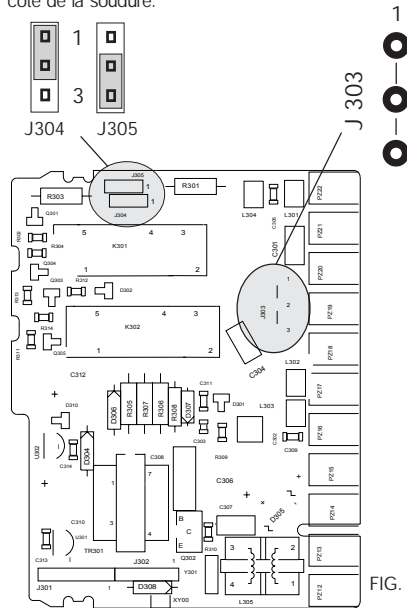
- 1) Avant de raccorder l'instrument au réseau, vérifier que la tension de ligne correspond aux indications de la plaque signalétique de l'instrument.
- 2) Pour éviter le risque d'électrocution ne raccorder l'alimentation qu'après avoir effectué tous les autres raccordements.
- 3) Le raccordement au réseau doit être effectué à l'aide de câbles n° 16 AWG ou supérieurs, résistant à une température mini. de 75°C.
- 4) Utiliser exclusivement des conducteurs en cuivre.
- 5) Eviter de placer les câbles des signaux parallèlement ou à proximité des câbles de puissance ou des sources de perturbations.
- 6) En cas d'alimentation 24 V c.c. la polarité n'a aucune importance.
- 7) Les circuits d'alimentation NE sont PAS protégés par un fusible, nous conseillons d'en prévoir un à l'extérieur type T, 1 A, 250 V.

Si le fusible est endommagé nous recommandons de vérifier tout le circuit d'alimentation. Nous conseillons donc de renvoyer l'instrument au fabricant.

- 8) Les normes sur la sécurité concernant les instruments raccordés en permanence à l'alimentation électrique exigent:
 - d'inclure un interrupteur ou un disjoncteur sur l'installation électrique de l'immeuble;
 - il doit se trouver à proximité de l'instrument et l'opérateur doit pouvoir y accéder facilement;
 - il doit être marqué comme le dispositif de coupure de l'instrument.**NOTE:** un seul interrupteur ou disjoncteur peut commander plusieurs instruments.
- 9) Si l'alimentation prévoit le fil de neutre, le brancher au contact 12.

MISE AU POINT PRELIMINAIRE DU MATERIEL INFORMATIQUE

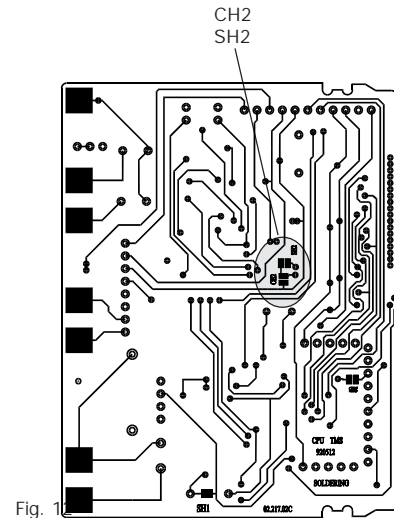
- 1) Extraire l'instrument de son boîtier.
 - 2) Pour les sorties 1 et 2, sélectionner la sortie désirée et programmer les pontets J 304 et J305
 J304 (AL1, Cool.) 1-2 = SSR 2-3 = Relais
 J305 (Sortie principale) 1-2 = SSR 2-3 = Relais
 - 3) Pour la sortie 2 on peut sélectionner le contact utilisé (NO ou NC) au moyen du pontet J303
 J303 (AL1, Cool.) 1-2 = Out NO 2-3 = Out NC
- Note:** J303 est un pontet à souder; il est effectué du côté de la soudure.



OUVERTURE DES RACCORDEMENTS EN ENTREE

Cet instrument permet de relever l'ouverture du circuit d'entrée pour les entrées de TC ou RTD. L'ouverture de l'entrée RTD est indiquée comme une condition de dépassement d'échelle positif.

Pour l'entrée à partir de thermocouple, sélectionner l'indication de dépassement d'échelle positif (standard) en fermant CH2 et en ouvrant SH2 ou l'indication de dépassement d'échelle négatif en ouvrant CH2 et en fermant SH2. Les deux contacts sont sur le côté soudure de la carte CPU (voir dessin).



NOTES GENERALES de configuration

- FUNC = Permet de mémoriser la nouvelle valeur du paramètre sélectionné et passer au paramètre suivant (ordre croissant).
- SMRT = Permet de visualiser les paramètres en ordre décroissant sans mémoriser les nouvelles valeurs.
- ▲ = Permet d'augmenter la valeur du paramètre sélectionné.
- ▼ = Permet de diminuer la valeur du paramètre sélectionné.

PROCEDURES DE CONFIGURATION

- 1) Extraire l'instrument de son boîtier.
- 2) Préparer le contact interne V2 (voir fig. suivante) sur la position ouverte.

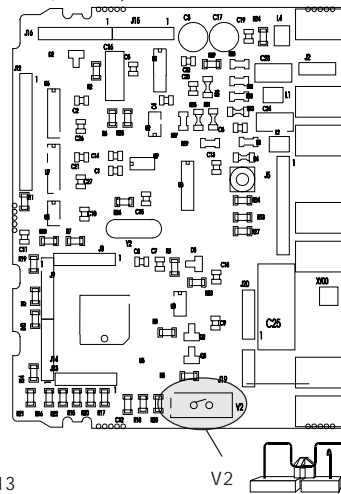


Fig.13

F 9

- 3) Rebrancher l'instrument
- 4) Alimenter l'instrument, l'indicateur supérieur indique "CnF"
ATTENTION: Si l'instrument affiche "CAL" appuyer immédiatement sur la touche ▲ pour revenir à la procédure de configuration.
- 5) Appuyer sur la touche FUNC. L'indicateur inférieur visualise le code du paramètre sélectionné et l'indicateur supérieur en visualise la nouvelle valeur.

P1 - Type d'entrée et échelle standard

0	= TC type L	échelle 0 / +800 °C
1	= TC type J	échelle 0 / +800 °C
2	= TC type K	échelle 0 / +999 °C
3	= TC type N	échelle 0 / +999 °C
4	= RTD type Pt 100	échelle -199 / +500 °C
5	= RTD type Pt 100	échelle -19.9 / +99.9 °C
6	= TC type T	échelle 0 / +400 °C
8	= TC type L	échelle 0 / +999 °F
9	= TC type J	échelle 0 / +999 °F
10	= TC type K	échelle 0 / +999 °F
11	= TC type N	échelle 0 / +999 °F
12	= RTD type Pt 100	échelle -199 / +999 °F
13	= TC type T	échelle 0 / +752 °F

P2 = Echelle mini.

Non disponible si P1 = 5
Valeur d'échelle mini. utilisée par l'algorithme PID pour les calculs de l'étendue de l'échelle d'utilisation. P2 est programmable à l'intérieur de la plage d'entrée sélectionnée au moyen de P1. Quand P2 est modifié, l'instrument attribue automatiquement au paramètre rL la nouvelle valeur de P2.

P3 = Echelle maxi.

Non disponible si P1 = 5
Valeur d'échelle maxi. utilisée par l'algorithme PID pour les calculs de l'étendue de l'échelle d'utilisation.

P3 est programmable à l'intérieur de l'échelle d'utilisation sélectionnée au moyen de P1.
Quand le paramètre P3 est modifié, l'instrument attribue automatiquement au paramètre rH la nouvelle valeur de P3.

NOTE: l'étendue de l'échelle d'utilisation (P3 - P2) doit être supérieure ou égale à:
- 300 °C ou 600 °F pour entrée de TC;
- 100 °C ou 200 °F pour entrée de RTD.

P4 = Procédure de configuration des sorties

H = Chauffage
HC = Chauffage/Refroidissement.

P5 = Type sortie principale

rEL = Sortie à relais.
SSr = Sortie pour SSR.

NOTE:

Programmer P5 = rEL, le paramètre C est forcé sur la valeur 20 secondes.

Programmer P5=SSr, le paramètre C est forcé sur la valeur 2 secondes.

P6 = Type sortie refroidissement

Uniquement disponible si P4 = HC
Air = air
OIL = huile
H2O = eau

NO TE:

Programmer P6 = Air, le paramètre C2 est forcé sur la valeur 10 sec. et le paramètre rC prend la valeur 1,00.

Programmer P6=Oil, Le paramètre C2 est forcé sur la valeur 4 sec. et le paramètre rC prend la valeur 0,8.

Programmer P6=H2O, Le paramètre C2 est forcé sur la valeur 2 sec. et le paramètre rC prend la valeur 0,4.

P7 = Alarme 1

Uniquement disponible si P4 = H.

0 = Non prévu
1 = Alarme de procédé
2 = Alarme de bande
3 = Alarme de déviation

P8 = Dialogue utilisateur alarme 1

Uniquement disponible si P7 est différent de 0 et P4 = H

H.A. = Alarme de maximum (hors bande) avec acquit automatique.

L.A. = Alarme de minimum (à l'intérieur de la bande) avec acquit automatique.

H.L. = Alarme de maximum (hors bande) avec acquit manuel.

L.L. = Alarme de minimum (à l'intérieur de la bande) avec acquit manuel.

P9 = Masquage de l'alarme 1

Uniquement disponible si P7 est différent de 0 et P4 = H

OFF = masquage invalidé
ON = masquage autorisé

NOTE: le masquage permet d'invalider l'action des alarmes au départ ou, uniquement pour les alarmes de bande et de déviation, après les modifications du point de consigne. Les alarmes sont réamorcer automatiquement quand la condition d'alarme n'existe plus.

P10 = Alarme 2

- 0 = Non prévu
- 1 = Alarme de procédé
- 2 = Alarme de bande
- 3 = Alarme de déviation

La sortie de l'alarme 2 est en OR avec la sortie de la fonction HBD (voir paramètre P16).

P11 = Dialogue utilisateur alarme 2 et acquit de l'alarme HBD

Uniquement disponible si P10 est différent de 0 ou P16 est différent de OFF.

H.A. = Alarme de maximum (hors bande) avec acquit automatique.

L.A. = Alarme de minimum (à l'intérieur de la bande) avec acquit automatique.

H.L. = Alarme de maximum (hors bande) avec acquit manuel.

L.L. = Alarme de minimum (à l'intérieur de la bande) avec acquit manuel.

NOTE: l'alarme HBD est toujours une alarme de minimum mais prend le type d'acquit sélectionné pour l'alarme 2.

P12 = Masquage de l'alarme 2

Uniquement disponible si P10 est différent de 0.

OFF = masquage invalidé

ON = masquage autorisé

Pour plus de détails voir le paramètre P9.

P13 = Type de DEVIATION sur la mesure

P13 = 0 DEVIATION (P14) constante sur toute l'échelle.

P13 différent de 0 P13 indique le point d'application de la valeur de déviation programmée avec le paramètre P14.

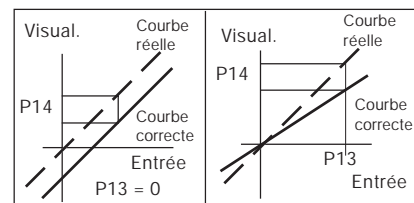
NOTE: les paramètres P13 et P14 NE modifient PAS les limites de mesure ou de visualisation de l'instrument; si l'une de ces limites est franchie elle déclenche une signalisation de hors échelle.

P14 = Valeur de DEVIATION

Si P13 = 0, P14 est programmable, en unités techniques, de -20% à +20% de l'échelle d'entrée (P1).

Se P13 est différent de 0, P14 est programmable, en unités techniques, de -20% à +20% de la valeur de P13.

NOTE: le paramètre P14 ne peut pas avoir une valeur inférieure à -199 unités.



P15 = Seuil de la fonction "Soft Start" (départ doux).

Valeur de seuil, en unités techniques, utilisée par l'instrument pour l'insertion automatique de la fonction "Soft Start" (limite temporisée de la puissance de sortie).

Au moment de la mise en service de l'instrument, si la valeur mesurée est inférieure au seuil programmé, l'instrument introduit automatiquement la limite de la puissance de sortie et la maintient pendant un laps de temps programmé (voir le paramètre "TOL" par "PARAMETRES DE FONCTIONNEMENT").

Au moment de la mise en service, si le paramètre "TOL" est égal à l'infini (limite toujours insérée), l'instrument ignore ce paramètre.

P16 = Mesure du courant utilisé par la charge commandée par la sortie principale (HBD)

- OFF = Mesure non autorisée
- n.O. = Mesure autorisée sur la période ON (état 1 pour SSR ou charge pilotée par le contact NO)
- n.C. = Mesure autorisée sur la période OFF (état 0 pour SSR ou charge pilotée par le contact NC)

P17 = Echelle maxi. transformateur ampèremétrique

Uniquement disponible si P16 est différent de OFF.

- 10 = 10 A échelle maxi. (résolution 0.1 A)
- 25 = 25 A échelle maxi. (résolution 1 A)
- 50 = 50 A échelle maxi. (résolution 1 A)
- 100 = 100 A échelle maxi. (résolution 1 A)

P18 = Clé d'accès aux paramètres de contrôle

- 0 = paramètres toujours accessibles
- 1 = SP peut être modifiés tandis que tous les autres paramètres sont toujours protégés
- de 2 à 499 = SP peut toujours être modifié tandis que ce code numérique permet l'accès ou l'invalidation de la modification des autres paramètres de fonctionnement.
- de 500 à 999 = SP, A1 et A2 peuvent toujours être modifiés tandis que ce code numérique permet l'accès ou l'invalidation de la modification des autres paramètres de fonctionnement.

NOTE: après avoir appuyé sur la touche FUNC, on NE peut PLUS visualiser la valeur de ce paramètre. Si l'ancien code de sécurité est inconnu il faut en programmer un autre.

La procédure de configuration standard est complète et l'instrument visualise " - . - . - ." sur les deux indicateurs.

Sans autres programmations, appuyer sur FUNC et l'instrument retourne au début de la procédure de configuration.

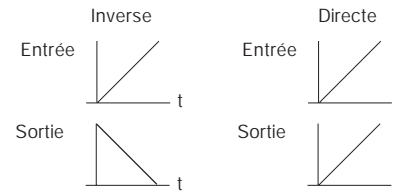
Pour effectuer une configuration complète, appuyer sur les touches ▲ ou ▼ et programmer la valeur 217 sur l'indicateur supérieur. Appuyer sur la touche FUNC et l'instrument commence la procédure de configuration auxiliaire en visualisant les paramètres supplémentaires suivants:

P19 - Action de la sortie principale

Uniquement disponible si P4 = H.

- r = Inverse (chauffage)
- d = Directe (refroidissement)

Note : quand P4 = HC, ce paramètre est forcé à "r".



P21 - Action du relais de l'alarme 1

Ce paramètre est visualisé uniquement si P7 est différent de 0 et P4 est égal à H.

- r = inverse (relais désexcité en condition d'alarme).
- d = directe (relais excité en condition d'alarme)

P22 - Action du relais de l'alarme 2

Ce paramètre N'EST PAS visualisé si P10 est égal à 0 et P16 est égal à "OFF".

r = inverse (relais désexcité en condition d'alarme).

d = directe (relais excité en condition d'alarme)

P23 - Modification automatique du "gain concernant le refroidissement".

Uniquement disponible si P4=HC.

OFF = La fonction SMART **NE** modifie **PAS** la valeur du paramètre "gain relatif de refroidissement".

ON = La fonction SMART modifie la valeur du paramètre "gain relatif de refroidissement".

P24 - Vitesse maxi. de variation du signal de sortie

Ce paramètre permet de programmer la vitesse maxi. du signal de sortie.

P24 est programmable de 1 à 10% de l'échelle de sortie par seconde.

Au-delà de 10% l'indicateur supérieur s'éteint et l'instrument ne limite plus la vitesse de variation.

P25 - Visualisation des paramètres protégés

Ce paramètre n'est visualisé que si P18 est différent de 0.

OFF = L'instrument NE visualise PAS les paramètres protégés.

ON = Tous les paramètres peuvent être visualisés.

P26 - SMART autorisation/invalidation

0 = La fonction SMART est toujours invalidée

1 = L'autorisation et l'invalidation de la fonction SMART **NE** sont **PAS** protégées par la clé de sécurité.

2 = L'autorisation et l'invalidation de la fonction SMART sont protégées par la clé de sécurité.

P27 - Valeur de bande proportionnelle maxi. programmable par la fonction SMART.

Uniquement disponible si P26 est différent de 0.

Ce paramètre peut être programmé entre la valeur de P28 ou P29 et 99.9.

P28 - Valeur de bande proportionnelle mini. programmable par la fonction SMART.

Uniquement disponible si P4=H et P26 est différent de 0.

Ce paramètre peut être programmé entre 1,0% et la valeur de P27.

P29 - Valeur de bande proportionnelle mini. programmable par la fonction SMART uniquement pour le réglage chauffage/refroidissement.

Uniquement disponible si P4=HC et P26 est différent de 0.

Ce paramètre peut être programmé entre 1,5% et la valeur de P27.

P30 - Valeur mini. de temps intégral programmable par la fonction SMART.

Uniquement disponible si P26 est différent de 0. Ce paramètre peut être programmé entre 00,1 (mm.s) et 02,0 (mm.s).

P31 = Extension de l'anti-initialisation-wind up

Echelle: de -30 à +30 % de la bande proportionnelle.

NOTE: une valeur positive augmente la limite maxi. de la fonction (au-dessus du point de consigne) tandis qu'une valeur négative diminue la limite mini. de la fonction (en-dessous du point de consigne)

La configuration auxiliaire est complète et l'instrument visualise "CnF" sur l'indicateur supérieur.

DIALOGUE UTILISATEUR

- 1) Extraire l'instrument de son boîtier.
- 2) Placer le contact V2 (voir fig. 13) sur la position fermée.
- 3) Rebrancher l'instrument.
- 4) Alimenter l'instrument.

L'indicateur supérieur visualise la valeur mesurée tandis que l'indicateur inférieur indique la valeur de point de consigne programmée (cet état est défini "mode normal de visualisation").

Note: Quand on applique une rampe (paramètre rP) au point de consigne de fonctionnement, la valeur du point de consigne mesurée pourrait être différente de celle de fonctionnement.

Appuyer sur la touche ▲, si la fonction HBD est configurée, la sortie de contrôle est autorisée et l'instrument est en état normal de visualisation, on peut visualiser sur l'indicateur inférieur la valeur de courant utilisée par la charge pilotée au moyen de la sortie 1 suivie par le symbole A.

NOTE: cette visualisation N'est PAS soumise au temps différé. Pour retourner à l'état normal de visualisation, appuyer de nouveau sur la touche ▲.

ALGORITHME SMART

L'algorithme SMART est un nouvel algorithme d'auto-sintonisation automatique. SMART est utilisé par l'instrument pour calculer et programmer automatiquement les paramètres de régulation.

L'algorithme SMART peut être toujours inséré pour obtenir une optimisation continue des paramètres en fonction des changements éventuels des conditions de l'installation.

Pour autoriser cette fonction, appuyer sur la touche SMRT pendant plus de 1,5 sec. quand l'instrument est en état "Visualisation normale".

L'indicateur SMRT clignote ou s'allume en fonction du type de syntonisation en cours.

Pour invalider la fonction SMART, il suffit d'appuyer sur la touche SMRT; l'indicateur SMRT s'éteint.

NOTES:

- 1) Quand la fonction SMART est active, le gain concernant le refroidissement (s'il existe) est limité à l'intérieur des valeurs suivantes:

Elément refroidissant	Echelle
Air	de 0,85 à 1,00
Huile	de 0,80 à 0,90
Eau	de 0,30 à 0,60

- 2) La fonction SMART utilise une action de dérivation égale à 1/4 de l'action intégrale.
- 3) Les limites de la bande proportionnelle et du temps intégral programmables par la fonction SMART sont programmable au moyen des paramètres P27, P28, P29 et P30 (voir section 3).
- 4) L'autorisation/invalidation de la fonction SMART peut être protégée par la clé de sécurité (voir paramètre P18).
- 5) Quand la fonction SMART est active, les paramètres Pb, ti et td ne peuvent pas être modifiés au clavier. Pour le paramètre rC voir P23.

INVALIDATION DU SIGNAL DE SORTIE

Le TMS permet d'invalider manuellement le signal de sortie pour interrompre la régulation (l'instrument fonctionne comme un simple indicateur).

Pour invalider le signal de sortie agir comme suit:

- 1) Appuyer sur la touche ▲ et la maintenir enfoncée.
- 2) Appuyer sur la touche FUNC.
- 3) Appuyer sur les deux touches pendant plus de 3 secondes.

L'indicateur inférieur visualise le message "OFF" et la sortie de régulation est interdite.

Pour réactiver la régulation automatique, répéter les actions susmentionnées; l'instrument retourne automatiquement à l'état "Visualisation Normale".

NOTES:

- 1) L'instrument mémorise l'état d'invalidation de la sortie.
- 2) Si le signal de sortie est invalidé quand la fonction SMART effectue la première partie de l'algorithme d'auto-sintonisation (LED SMRT clignotante), l'instrument n'exécute pas l'algorithme et, quand on retourne au contrôle normal, la fonction SMART est invalidée. Si le signal de sortie est invalidé quand la fonction SMART effectue la partie de syntonisation continue de l'algorithme d'auto-sintonisation (LED SMRT allumée fixe), l'instrument arrête provisoirement l'exécution de l'algorithme et, au retour à l'état normal de contrôle, la fonction SMART est active.

ALARME DE DYSFONCTIONNEMENT DE LA CHARGE COMMANDEE VIA LA SORTIE PRINCIPALE (alarme HBD) .

Cette alarme permet de contrôler constamment l'absorption de la charge pilotée au moyen de la sortie principale et de créer une alarme si la consommation est inférieure à la valeur de seuil programmée.

Pour visualiser la consommation de cette charge, appuyer sur la touche ▲ quand l'instrument est en état de "Visualisation normale".

L'indicateur supérieur permet de visualiser la variable de procédé tandis que l'indicateur inférieur visualise le courant absorbé (en Ampère) suivi par l'unité technique (A)

Pour retourner à l'état "Visualisation normale" appuyer de nouveau sur la touche ▲ .

Si l'instrument relève une condition d'alarme, la LED AL2/HB clignote et le relais concernant la sortie 3 est activé.

ACCES DIRECT A LA MODIFICATION DU POINT DE CONSIGNE

L'instrument permet de modifier la valeur du point de consigne sans utiliser la touche FUNC.

Pour modifier rapidement la valeur du point de consigne, agir comme suit:

- 1) Appuyer pendant plus de 3 secondes sur la touche ▲ ou ▼, et la valeur du point de consigne visualisée par l'indicateur inférieur commence à se modifier.
- 2) En appuyant sur les touches ▲ et ▼, programmer la valeur de point de consigne désirée.
- 3) Quand la valeur désirée est atteinte, N'appuyer sur AUCUNE touche pendant au moins 3 secondes; la nouvelle valeur du point de

consigne devient opérationnelle 3 secondes après la dernière pression sur les touches.

Pour abandonner la modification au cours de cette procédure, appuyer sur la touche FUNC; l'instrument se replace automatiquement sur "visualisation normale" sans mémoriser la nouvelle valeur.

LAMP TEST

Pour vérifier le fonctionnement de l'indicateur, appuyer sur les touches ▼ et FUNC.

L'instrument allume toutes les LED de l'indicateur avec un cycle de fonctionnement égal à 50% (cet état est appelé LAMP TEST).

Le LAMP TEST n'est pas soumis au temps différé.

Pour retourner à l'état normal de visualisation, appuyer de nouveau sur les touches ▼ et FUNC.

Pendant le LAMP TEST l'instrument conserve son fonctionnement normal, mais le clavier ne permet que l'invalidation du test.

PARAMETRES DE FONCTIONNEMENT

Modification des paramètres de fonctionnement

Appuyer sur la touche FUNC, l'indicateur inférieur visualise le code et l'indicateur supérieur visualise la valeur du paramètre sélectionné. En appuyant sur les touches ▲ et ▼ on peut programmer la valeur ou l'état désiré. En appuyant sur la touche FUNC l'instrument mémorise la nouvelle valeur (ou le nouvel état) et passe à la visualisation du paramètre suivant. Un brève pression sur la touche SMRT permet de retourner au paramètre précédent sans mémoriser la nouvelle valeur du paramètre actuel. Quelques uns des paramètres suivants pourraient ne pas être visualisés en fonction de la configuration de l'instrument.

- NOTES:**
- 1) Pendant la modification des paramètres, ou leur visualisation, si on n'appuie sur aucune touche pendant plus de 10 secondes, l'instrument retourne à la "Visualisation normale" sans mémoriser la nouvelle valeur du dernier paramètre.
 - 2) L'instrument ne visualise pas tous les paramètres mais sélectionne uniquement ceux qui sont significatifs en fonction de:
 - a) la configuration de l'instrument
 - b) la nouvelle valeur du paramètre P25
 - c) la programmation de la bande proportionnelle

Paramètres: description

- SP **Point de consigne principal** (en unités techniques)
Echelle : de rL à rH.
- n.r.S **Acquit manuel des alarmes**
Ce paramètre est visualisé si une alarme au moins est programmée avec l'acquit manuel.
Programmer ON et appuyer sur la touche FUNC pour réamorcer les alarmes.
- nnn **Clé de protection des paramètres**
Elle n'est pas visualisée si P18= 0 ou 1.
L'instrument visualise d'abord l'état du dispositif:
ON= La protection des paramètres est active
OFF= La protection des paramètres est inactive
Pour désactiver la protection des paramètres, programmer une valeur égale à la valeur attribuée au paramètre P18.
Pour activer de nouveau la protection des paramètres, programmer une valeur différente de celle qui est attribuée au paramètre P18.
- A1 **Seuil d'alarme 1**
Ce paramètre est visualisé uniquement si l'alarme correspondante a été configurée
Echelles:
- à l'intérieur de l'échelle d'entrée pour l'alarme de procédé.
- de 0 à 500 unités pour les alarmes de bande.
- de -199 à 500 unités pour les alarmes de déviation.
- A2 **Seuil d'alarme 2**
Pour plus de détails voir le paramètre A1.

H1 **Hystérésis alarme 1**

Ce paramètre est visualisé uniquement si l'alarme correspondante a été configurée.
Echelle: de 0,1% à 10,0% de l'échelle d'entrée ou 1 LSD

Note: Si l'hystérésis d'une alarme de bande est supérieure à la bande de l'alarme, l'instrument utilise une valeur d'hystérésis égale à la valeur de bande programmée moins 1 digit.

H2 **Hystérésis alarme 2**

Pour plus de détails voir le paramètre H1.

Pb **Bande proportionnelle**

Echelle: de 1,0% à 99,9% de l'étendue de l'échelle d'entrée avec une sortie de régulation. De 1,5% à 99,9 % de l'étendue de l'échelle d'entrée avec deux sorties de régulation. Quand Pb=0 l'action de régulation devient de type ON/OFF; les paramètres ti, td, IP, C, C2, rC, OLP, OLH et tOL ne sont pas visualisés, tandis que la fonction SMART est invalidée.

Note: quand on utilise la fonction SMART, l'échelle de variabilité du paramètre Pb est limitée par les valeurs attribuées aux paramètres P27, P28 et P29.

HS **Hystérésis pour la régulation ON/OFF**

HS est uniquement disponible si Pb=0
Echelle: de 0,1% à 10,0% de l'étendue de l'échelle d'entrée.

ti **Temps intégral**

"ti" n'est pas visualisé quand Pb=0 (action ON/OFF)

Echelle: de 00,1 à 20,00 mm.ss

Au-delà de cette valeur l'indicateur devient sombre et l'action intégrale est exclue.

Note: quand on utilise la fonction SMART, la valeur mini. du temps intégral est définie au moyen du paramètre P30.

td **Temps de dérivation**

"td" n'est pas visualisé quand Pb=0 (action ON/OFF).

Echelle: de 0,01 à 9,59 m.ss. En programmant la valeur 0 l'action de dérivation est exclue.

Note: quand on utilise la fonction SMART la valeur de td est égale à un quart de la valeur attribuée à ti.

IP **Préchargement de l'action intégrale.**

"Ip" n'est pas visualisé si Pb=0 (action ON/OFF). Echelle:

- de 0 à 100 % si P4 = H

- de -100 à 100 % si P4 = HC

C **Temps de cycle sortie 2**

C est uniquement disponible si Pb est différent de 0.

Echelle: de 1 à 200 s.

C2 **Temps de cycle sortie 1**

C2 est uniquement disponible si P4 = "HC" et Pb est différent de 0.

Echelle de 1 à 200 s.

rC **Gain relatif de refroidissement**

"rC2" n'est pas visualisé si Pb=0 (action ON/OFF) ou si P4 = H.

Echelle : de 0,20 à 1,00.

Note: quand la fonction SMART est active, le paramètre "rC" est limité en fonction du type d'élément refroidissant sélectionné.

- de 0,85 à 1,00 si P6 = Air

- de 0,80 à 0,90 si P6 = OIL

- de 0,30 à 0,60 si P6 = H2O

OLP **Superposition/bande morte entre chauffage et refroidissement**

"OLP" n'est pas visualisé si Pb=0 (action ON/OFF) ou si P4 = H. Une valeur négative indique une bande morte, tandis qu'une valeur positive indique une superposition.

Echelle: de -20 à 50.

- rL **Limite inférieure du point de consigne**
Echelle: de la valeur mini. d'échelle (P2) à rH.
Note: si P2 est modifié, rL est réaligné automatiquement.
- rH **Limite supérieure du point de consigne**
Echelle: de rL à la valeur d'échelle maxi. (P3).
Note: si P3 est modifié, rH est réaligné automatiquement.
- rP **Rampe appliquée aux modifications du point de consigne**
Echelle: de 1 à 100 digit/minute. Au-delà de cette valeur, l'indicateur visualise "Inf" et le passage se fera par degrés.
- OLH **Limite maxi. de la sortie de régulation**
"OLH" n'est pas visualisé quand Pb=0 (action ON/OFF).
Echelle:
- de 0,0 à 100% si P4 = H
- de -100 à 100% si P4 = HC
- tOL **Durée de la limite de puissance de sortie**
"tOL" n'est pas visualisé quand Pb=0 (action ON/OFF).
Echelle: de 1 à 100 min. Au-delà de cette valeur l'indicateur visualise "Inf" et la limite sera toujours insérée.
Note: le paramètre tOL peut être modifié à tout moment, mais la nouvelle valeur ne sera fonctionnelle qu'au moment de la nouvelle mise en service de l'instrument.
- Hbd **Valeur de seuil pour l'indication du courant absorbé par la charge pilotée au moyen de la sortie principale.**
Ce paramètre est uniquement visualisé si P16 est différent de OFF.
Echelle: à l'intérieur de l'échelle de mesure du transformateur ampèremétrique (voir P17).

MESSAGES D'ERREUR

INDICATION D'ANOMALIE DE LA MESURE

L'instrument visualise une condition de DEPASSEMENT D'ECHELLE POSITIF en affichant sur l'indicateur supérieur le message suivant:



L'instrument visualise une condition de dépassement d'échelle négatif en affichant sur l'indicateur supérieur le message suivant:



La rupture du capteur est indiquée comme suit:
- entrée TC/mV : DEPASS: D'ECH. POSITIF ou DEPASS: D'ECH. NEGATIF pouvant être sélectionné par contact (voir Fig. 12)
- entrée RTD : DEPASS. D'ECH. POSITIF

Pour l'entrée RTD, l'instrument signale une condition de DEPASSEMENT D'ECHELLE POSITIF quand la résistance d'entrée est inférieure à 15 Ohm (relevé du court-circuit du capteur).

NOTE: quand:

- l'instrument est programmé pour utiliser une seule sortie de régulation et à relevé une condition de **DEPASSEMENT D'ECHELLE POSITIF**, la sortie 1 est forcée sur zéro (pour action inverse), ou à 100% (pour action directe).
- l'instrument est programmé pour utiliser deux sorties de régulation et à relevé une condition de **DEPASSEMENT D'ECHELLE POSITIF**, la sortie 1 est forcée sur zéro et la sortie 2 à 100%.
- l'instrument est programmé pour utiliser une seule sortie de régulation et à relevé une condition de **DEPASSEMENT D'ECHELLE NEGATIF**, la sortie 1 est forcée à 100% (pour action inverse) ou sur zéro (pour action directe).
- l'instrument est programmé pour utiliser deux sorties de régulation et à relevé une condition de **DEPASSEMENT D'ECHELLE NEGATIF**, la sortie 1 est forcée à 100% et la sortie 2 est forcée sur zéro.

INDICATIONS D'ERREUR

L'instrument prévoit des algorithmes d'auto-diagnostic.

Si ces algorithmes relèvent un dysfonctionnement, l'instrument affiche sur l'indicateur inférieur le message "Err" et sur l'indicateur supérieur le code de l'erreur détectée.

LISTE DES ERREURS

100	Erreur d'écriture mémoire EEPROM.
150	Erreur général sur CPU.
200	Essai d'écriture sur mémoire protégée.
201 - 2xx	Erreur de configuration des paramètres; les deux chiffres les moins significatifs indiquent le numéro du paramètre erroné.
301	Erreur des données de calibration pour l'entrée de thermorésistance.
305	Erreur des données de calibration pour l'entrée de thermocouple.
307	Erreur des données de calibration de soudure froide de référence.
310	Erreur dans les données de calibration entrée à partir du transformateur ampèremétrique.
400	Erreur sur les paramètres de régulation.
500	Erreur pendant la mesure de auto-zéro.
502	Erreur pendant la mesure de la soudure froide de référence.
510	Erreur générale pendant la calibration

- NOTES**
- 1) Quant l'instrument détecte une erreur sur les paramètres de configuration, il suffit de répéter la configuration du paramètre spécifique.
 - 2) Si l'erreur 400 est détectée, appuyer en même temps sur les touches ▼ et ▲ pour charger les paramètres prédéfinis; répéter la programmation des paramètres de contrôle.
 - 3) Pour toutes les autres erreurs, contacter le fabricant.

CARACTERISTIQUES TECHNIQUES

SPECIFICATIONS TECHNIQUES

Boîtier: PC-ABS noir; degré d'auto-extinction: V-0 suivant UL 94.

Protection panneau avant: Le produit est conçu et vérifié pour garantir une protection IP 65 (*) et NEMA 4X pour utilisation à l'abri.

(* les vérifications ont été effectuées conformément aux standards CEI 70-1 et NEMA 250-1991.

Installation : Montage sur panneau

Face arrière: 21 bornes à vis (vis M3 pour câbles de ϕ 0,25 à ϕ 2,5 mm² ou de AWG 22 à AWG 14) avec les diagrammes de raccordement et les chapeaux de borne de sécurité.

Dimensions: suivant DIN 43700 48 x 96 mm, profondeur: 89 mm.

Masse: 600 g.

Alimentation:

- de 100V à 240V c.a. 50/60Hz (-15% à + 10% de la valeur nominale)

- 24 V c.c./c.a. (+ 10 % de la valeur nominale).

Autoconsommation : 6 VA maxi.

Résistance d'isolement: > 100 M Ω suivant IEC 1010 -1.

Rigidité diélectrique: 1500 V mns suivant IEC 1010 - 1.

Intervalle d'échantillonnage: 500 ms.

Résolution: 30000 comptes

Précision: + 0,2% v.f.s. + 1 digit @ 25 °C de température ambiante.

Réjection de mode commun 120 dB à 50/60 Hz.

Réjection de mode normal: 60 dB à 50/60 Hz.

Compatibilité électromagnétique et normes de sécurité: Cet instrument est marqué CE; il est donc conforme aux directives 89/336/EEC (standard harmonisé de référence EN 50081-2 et EN 50082-2), et aux directives 72/23/EEC et 93/68/EEC (comme référence à la Norme Générale

Normalisée EN 61010-1).

Catégorie d'installation: II

Dérive thermique: (CJ exclue)

< 400 ppm/°C pour entrée de thermocouple T et de RTD avec échelle -19.9/99.9°C

< 200 ppm/°C pour les autres entrées.

Température de fonctionnement: de 0 à 50 °C.

Température de stockage: de -20 à + 70 °C

Humidité : de 20 % à 85% RH, sans condensation.

Protections:

1) WATCH DOG circuit pour le restart automatique

2) DIP SWITCH pour la protection des paramètres de configuration et de calibration.

ENTREES

A) THERMOCOUPLES

Type: L -J -K -T -N - °C/°F sélectionnable.

Résistance extérieure: maxi. 100 Ω avec erreur maxi. égale à 0,1% de l'étendue de l'échelle sélectionnée.

Burn out (rupture): signalé comme condition de dépassement d'échelle positif (standard). Au moyen de contacts on peut sélectionner la visualisation de dépassement d'échelle négatif.

Soudure froide: compensation automatique de 0 à 50°C.

Précision de la soudure froide : 0.1 °C/°C

Impédance d'entrée: > 1M Ω

Calibration: suivant IEC 584-1 et DIN 43710-1977.

TABLEAU ECHELLES STANDARD

Type TC	Echelle	
L	0 / + 800 °C	0 / + 999 °F
J	0 / + 800 °C	0 / + 999 °F
K	0 / + 999 °C	0 / + 999 °F
T	0 / + 400 °C	0 / + 752 °F
N	0 / + 999 °C	0 / + 999 °F

B) RTD (Résistance Temperature Detector)

Type: Pt 100 à 3 fils

Courant: 135 μ A

Résistance de ligne: Compensation automatique jusqu'à 20 Ω /fil avec:

- erreur $< \pm 0,1\%$ de l'étendue de l'échelle d'entrée pour l'échelle -19,9 à 99,9°C.

- erreur non mesurable pour toutes les autres échelles.

Unités techniques: °C ou °F programmables.

Burn-out (rupture): échelle maxi.

NOTE: un contrôle spécial produit un signal de dépassement d'échelle positif quand la résistance d'entrée est inférieure à 15 Ω .

Calibration: suivant DIN 43760

TABLEAU ECHELLES STANDARD

Type de RTD	Echelle de mesure	
RTD Pt 100	-199 - +500 °C	-199 - +999 °F
RTD Pt 100	-19.9 - +99.9 °C	-----

C) ENTREE DE TRANSFORMATEUR AMPEREMETRIQUE

Courant d'entrée: 50 mA c.a.

Visualisation : peut être sélectionnée entre 10, 25, 50 ou 100 A.

Résolution:

- pour la capacité 10 A : 0,1 A.
- pour les autres capacités : 1 A.

Période active:

- pour sortie à relais : NO ou NC programmable
- pour sortie commande SSR : niveau logique 1 ou 0 programmable.

Durée mini. de la période active: 50 ms.

ACTIONS DE CONTROLE

Action de contrôle: PID ou SMART

Bande proportionnelle : de 1.0 (si on utilise une seule sortie de régulation) ou 1,5% (si on utilise deux sorties de régulation) à 99,9% de l'étendue de l'échelle d'entrée.

Quand Pb=0, l'action de contrôle devient ON/OFF.

Hystérésis (pour contrôle ON/OFF) : de 0,1% à 10,0% de l'étendue de l'échelle d'entrée.

Temps intégral: de 10" à 20'; résolution 10 secondes. En programmant une valeur supérieure à 20 minutes, l'action intégrale est exclue.

Temps dérivé : de 0 à 9'59".

Précharge de l'action intégrale:

- de 0 à 100,0 % pour une sortie de régulation
- de -100 à 100 % pour deux sorties de régulation

Temps de cycle de la sortie principale: de 1 à 200 s

Temps de cycle de la sortie de refroidissement: de 1 à 200 s.

Gain relatif de l'action de refroidissement: de 0,20 à 1,00.

NOTE: on peut limiter les paramètres PB, TI, TD et RCG quand la fonction SMART est autorisée.

Superposition de la bande morte: de -20% à 50%

SORTIES DE REGULATION

Type: temps proportionnel

Temps de mise à jour: 500 ms

Résolution de la sortie: 1% de l'étendue de l'échelle.

Action: directe ou inverse programmable.

Limiteur de la puissance de sortie:

- pour une sortie de régulation : de 0,0 à 100,0 %
- pour deux sorties de régulation: de -100,0 à +100,0%.

Cette fonction peut être validée à la mise en service de l'instrument (pour éviter des chocs thermiques ou de préchauffer l'installation).

SORTIES

- a) Sortie à relais avec contact SPDT;
Capacité du contact 3A/250V c.a. sur charge résistive
- b) Tension logique pour SSR.
Etat logique 1: 24V +20% @1mA.
14V +20% @20mA
Etat logique 0: <0.5V

Action de la sortie: directe/inverse programmable.

La sélection entre la sortie à relais ou la tension logique est effectuée au moyens d'un pontet et d'un paramètre de configuration.

Sortie 2 - Refroidissement ou alarme 1

- a) Sortie à relais avec contact SPST;
Capacité du contact 2A/250V c.a. sur charge résistive
- b) Tension logique pour SSR.
Etat logique 1: 24V +20% @1mA.
14V +20% @20mA
Etat logique 0: <0.5V

La sélection entre la sortie à relais ou la tension logique est effectuée au moyens de pontets.

ALARMES

L'instrument peut être pourvu de deux alarmes indépendantes.

L'alarme 1 est une fonction standard de cet appareil et l'alarme 2 est une option. Chaque alarme peut être configurée de la façon suivante:

Alarmes de procédé

Dialogue utilisateur: maximum ou minimum.

Seuil: programmable en unités techniques à l'intérieur de l'échelle d'entrée (P3 - P2).

Alarmes de bande

Dialogue utilisateur: à l'intérieur ou à l'extérieur de la bande.

Seuil: programmable de 0 à 500 unités.

Alarmes de déviation

Dialogue utilisateur: en-dessous et au-dessus de la valeur programmée.

Seuil: programmable de - 500 à +500 unités.

Action: directe ou inverse programmable

Résolution du seuil: 1 digit.

Hystérésis d'alarme: programmable de 0,1 % à 10,0 % de l'étendue de l'échelle d'entrée.

Acquit des alarmes: automatique ou manuel programmable pour chaque alarme.

Masquage des alarmes: chaque alarme peut être programmée avec ou sans le masquage

Cette fonction permet d'éliminer de fausses indications d'alarme à la mise en service ou après la modification du point de consigne.

Indication d'alarme: la LED AL1/COOL est allumée quand l'alarme est en état ON.

La LED AL2/HBD suit les indications du tableau suivant:

HBD état	AL2 état	LED AL2/HBD
0	0	OFF
0	1	ON
1	0	clignote lentement
1	1	clignote rapidement

Sorties des alarmes:

- 1) alarme 1: Sortie à relais avec contact SPST; Capacité du contact 3A/250V c.a. sur charge résistive.
- 2) alarme 2: Sortie à relais avec contact SPST; Capacité du contact 2A/250V c.a. sur charge résistive.

NOTE: les fonctions Alarme 2 et HBD sont en OR sur la sortie 2.

ALARME DE DYSFONCTIONNEMENT DE LA CHARGE

Cette entrée facultative permet de mesurer, au moyen du transformateur ampèremétrique, le courant circulant dans la charge principale pendant la période active de la sortie 1 et de créer une indication d'alarme si cette valeur est inférieure à un seuil programmable (la sortie d'alarme est en OR avec l'alarme 2).

Résolution du seuil: 1 digit.

Hystérésis d'alarme: 1 % de l'échelle sélectionnée

Indication d'alarme: La LED 'AL2 HB' clignote sur ON.

FONCTIONS SPECIALES

Invalidation du signal de sortie

Cette fonction permet de forcer sur zéro la puissance des sorties de régulation et d'invalider l'algorithme de contrôle et la fonction des alarmes. On diminue ainsi la puissance de l'élément de régulation tandis que l'instrument agit comme un simple indicateur.

On peut ainsi vérifier le comportement de la variable même quand la charge n'est plus active.

Quand l'action de régulation est réactivée, l'instrument se comporte de la façon suivante:

- la composante intégrale du signal de sortie est mise à zéro,
- la fonction soft start et le masquage des alarmes sont réactivés.

LAMP TEST

Cette fonction permet de vérifier le fonctionnement de l'indicateur.

ENTRETIEN

- 1) COUPER LA TENSION A L'APPAREIL (alimentation, sorties à relais, etc.)
- 2) Enlever l'instrument de son boîtier
- 3) En utilisant un aspirateur ou un jet d'air comprimé à basse pression (maxi. 3 kg/cm²), enlever les dépôts de poussière et de saleté dans les fissures de ventilation et sur les circuits en faisant attention à ne pas endommager les composants.
- 4) Pour nettoyer les parties extérieures en plastique ou en caoutchouc, utiliser exclusivement un chiffon propre et légèrement imbibé de:
 - alcool éthylique (pur ou dénaturé) [C₂H₅OH]
 - alcool isopropylique (pur ou dénaturé) [(CH₃)₂CHOH]
 - eau (H₂O)
- 5) Contrôler qu'aucune borne n'est desserrée
- 6) Avant de rebrancher l'instrument dans son boîtier, vérifier que l'appareil soit parfaitement sec.
- 7) Rebrancher l'appareil et mettre sous tension.

MONTAGE

Für die Montage eine Stelle wählen, die folgende Merkmale aufweist:

- 1) leichte Zugänglichkeit auch an der Rückseite
- 2) keinen Vibrationen oder Stößen ausgesetzt
- 3) keinen korrosiven Gasen ausgesetzt (Schwefelgas, Ammoniak, usw.)
- 4) keine Wasser oder andere Flüssigkeiten in der näheren Umgebung
- 5) Umgebungstemperatur zwischen 0°C und 50 °C liegen.
- 6) Relative Feuchtigkeit zwischen 20 und 85% RH und kein Kondenswasser.

Das Gerät kann auf eine bis zu 15 mm dicke Fronttafel montiert werden, in die ein rechteckiger Ausschnitt mit den Maßen 45 x 92 mm praktiziert wurde.

Abmessungen und Fronttafel Ausschnitt siehe Abb.2. Die Oberflächenrauheit der Tafel muß besser als 6,3 µm sein.

Das Gerät ist mit einer Gummidichtung für Fronttafeln ausgerüstet (von 50 bis 60 Sh).

Zur Gewährleistung der Schutzarten IP65 und NEMA 4, die mit dem Gerät gelieferte Dichtung zwischen das Gerät und die Tafel einfügen (siehe Abbildung 1).

Bei der Befestigung des Geräts an der Tafel wie folgt vorgehen:

- 1) Die Dichtung an dem Gehäuse des Geräts anbringen.
- 2) Das Gerät in den Ausschnitt einsetzen.
- 3) Das Gerät gut an der Tafel anliegend festhalten und die Befestigungsstrebe einfügen.
- 4) Mit einem Schraubenzieher die Schrauben mit einem Anziehmoment zwischen 0,3 und 0,4 Nm festziehen.

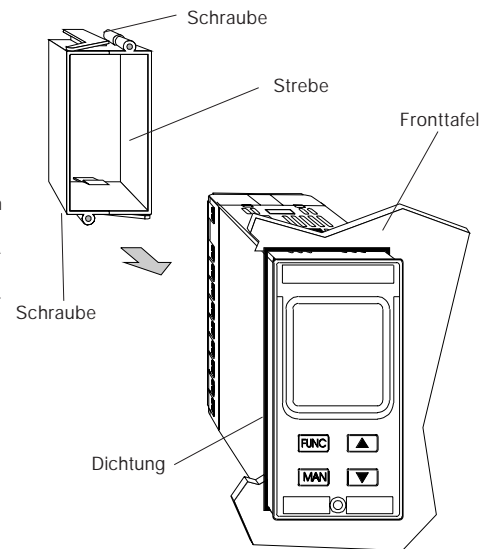
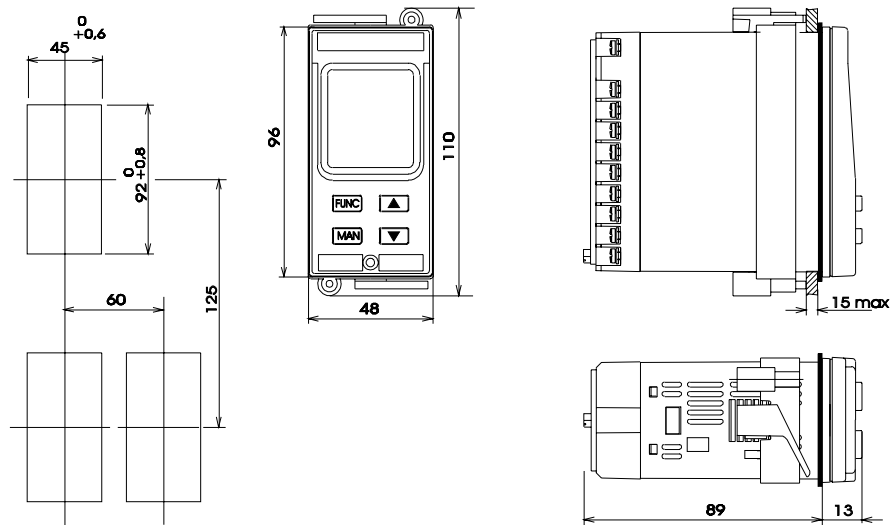


Abb. 1

D 1

ABMESSUNGEN UND
FRONTTAFELAUSSCHNITT



Add. 2

D 2

ELEKTRISCHE ANSCHLÜSSE

Die Anschlüsse müssen durchgeführt werden, nachdem das Gehäuse des Geräts vorschriftsmäßig auf der Tafel montiert wurde.

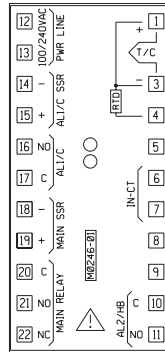


Abb.3.A ANSCHLUSSKLEMMEN (für 100/240 V AC Ausführungen)

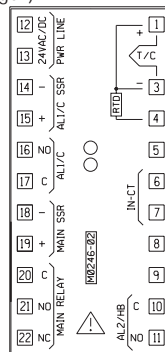


Abb.3.B ANSCHLUSSKLEMMEN (für 24 V AC/ DC Ausführungen)

A) MESSEINGÄNGE

ANMERKUNG: Externe Komponenten (z.Bsp.: Zener-Barrieren) zwischen dem Fühler und den Eingangsanschlüssen des Geräts können Meßfehler bewirken, die durch einen zu hohen oder nicht ausbalancierten Widerstand oder durch Leckströme verursacht werden.

INGANG FÜR THERMOELEMENT

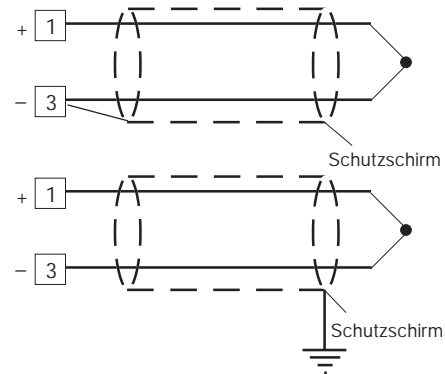


Abb.4 ANSCHLUSS DES THERMOELEMENTS

ANMERKUNGEN:

- 1) Die Signalkabel nicht parallel oder in der Nähe von Leistungskabeln oder Störquellen verlegen.
- 2) Für den Anschluß des Thermoelements ein geeignetes, vorzugsweise abgeschirmtes Kompensations-/Erweiterungskabel verwenden.
- 3) Bei Verwendung eines Abschirmkabels, den Schutzschirm nur an einem Ende erden.

**INGANG FÜR
WIDERSTANDSTHERMOMETER**

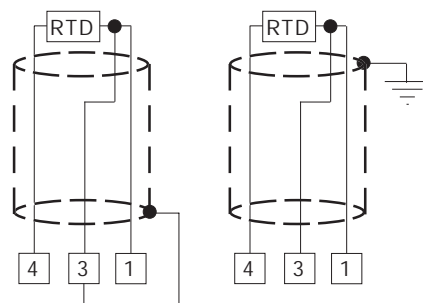


Abb.5 ANSCHLUSS DES
WIDERSTANDSTHERMOMETERS

ANMERKUNGEN:

- 1) Die Signalkabel nicht parallel oder in der Nähe von Leistungskabeln oder Störquellen verlegen.
- 2) Auf den Leitungswiderstand achten. Ein übermäßig hoher Leitungswiderstand (über 20 Ω /Leiter) kann Meßfehler bewirken.
- 3) Bei Verwendung eines Abschirmkabels, den Schutzschirm nur an einem Ende erden.
- 4) Die 3 Leiter müssen den gleichen Widerstand haben.

B) INGANG VON STROMWANDLER

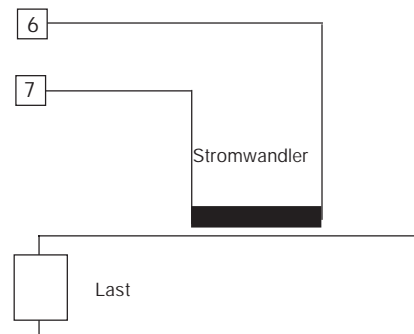


Abb.6 ANSCHLUSS DES STROMWANDLERS

Anmerkung:

- 1) Der Eingangswiderstand beträgt 10 Ω .
- 2) Der Eingangsspitzenstrom beträgt 50 mA (50/60 Hz).

C) RELAISAUSGÄNGE

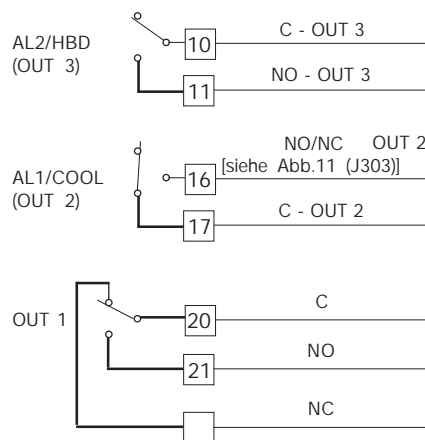


Abb.7 ANSCHLUSS DER RELAISAUSGÄNGE

Der Ausgang 2 und der NO-Kontakt des Ausgangs 1 sind mittels Varistoren gegen Belastungen geschützt, deren induktive Komponente bis zu 0,5 A beträgt.

Die Belastbarkeit des dem Ausgang 1 entsprechenden Kontakts, beträgt 3A/250 V AC bei ohmscher Belastung.

Die Belastbarkeit der den Ausgängen 2 und 3 entsprechenden Kontakte beträgt 2 A/250V AC bei ohmscher Belastung.

Die Anzahl der Umschaltungen ist gleich 1×10^6 der spezifizierten Belastbarkeit.

ANMERKUNGEN:

- 1) Zur Vermeidung elektrischer Schläge, die Versorgung erst anschließen, nachdem alle anderen Anschlüsse vorgenommen wurden.

- 2) Für den Netzanschluß Kabel Nr.16 AWG oder mit größerem Querschnitt verwenden, die für eine Temperatur von mindestens 75°C geeignet sind.
- 3) Nur Kupferleiter verwenden.
- 4) Die Leistungskabel nicht parallel oder in der Nähe von Signalkabeln verlegen.
- 5) Der Relais- und der Festkörperrelaisausgang sind beide verfügbar. Bei Verwendung des Relaisausgangs muß der Festkörperrelaisausgang (SSR-Ausgang) deaktiviert werden (siehe Kapitel "Hardware-Voreinstellungen").

Die folgenden Empfehlungen dienen zur Vermeidung schwerwiegender Probleme durch die Verwendung des Ausgangs 3 oder der NC-Kontakte des Ausgangs 1 für die Vorsteuerung induktiver Belastungen.

INDUKTIVE BELASTUNGEN

Bei der Umschaltung induktiver Belastungen können Einschwingzustände und Störungen entstehen, die die Leistungen des Geräts beeinträchtigen können.

Analoge Probleme können durch die Umschaltung von Belastungen mittels eines externen, zum Ausgang des Geräts in Reihe geschalteten Kontakts, entstehen.

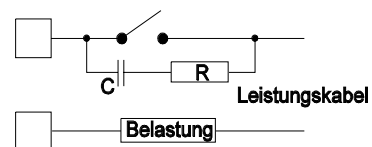


Abb.8 EXTERNER, ZUM AUSGANG DES GERÄTS IN REIHE GESCHALTETER KONTAKT

In diesen Fällen wird empfohlen, parallel zum externen Kontakt (oder an den internen, nicht geschützten Kontakt) einen RC-Filter anzuschließen wie in Abb.8 gezeigt. Der Wert der Kapazität (C) und des Widerstands (R) sind in der folgenden Tabelle angegeben.

BELASTUNG (mA)	C (µF)	R (Ω)	P. (W)	BETRIEBS-SPANNUNG
<40 mA	0.047	100	1/2	260 V AC
<150 mA	0.1	22	2	260 V AC
<0.5 A	0.33	47	2	260 V AC

In allen Fällen müssen die an die Relaisausgänge angeschlossenen Kabel soweit wie möglich von den Signalkabeln entfernt gehalten werden.

D) LOGIKAUSGANG FÜR DIE SSR-STEUERUNG

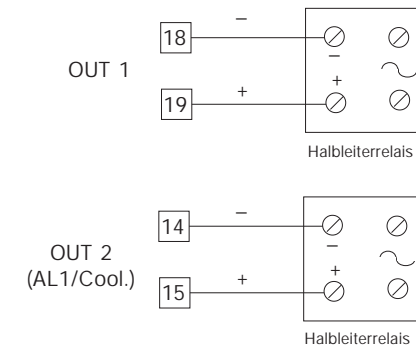


Abb. 9 ANSCHLUSS FÜR DIE VORSTEUERUNG VON HALBLEITERRELAIS

Dieser Ausgang ist zeitproportional.

Logikstatus 0: $V_{out} < 0,5 \text{ V DC}$

Logikstatus 1: Stromspitze = 20 mA.

- 14 V \pm 20% @ 20 mA

- 24 V \pm 20% @ 1 mA.

ANMERKUNGEN:

- 1) Diese Ausgänge sind NICHT isoliert. Eine verstärkte galvanische oder optoisolierte Trennung zwischen der Lastversorgung und dem Ausgang muß gemäß den CE-Richtlinien z.B. durch ein Halbleiterrelais mit verstärktem isoliertem Eingang sichergestellt werden.
- 2) Der Relais- und der Halbleiterrelaisausgang sind beide verfügbar. Bei Verwendung des Relaisausgangs muß der Halbleiterrelaisausgang (SSR-Ausgang) deaktiviert werden (siehe Kapitel "Hardware-Voreinstellungen").

E) VERSORGUNG

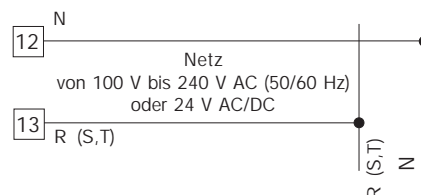


Abb.10 ANSCHLUSS AN DAS STROMNETZ

ANMERKUNGEN:

- 1) Vor dem Anschluß des Geräts an das Stromnetz, sich vergewissern, das die Leitungsspannung mit der auf dem Kennschild des Geräts angegebenen Spannung übereinstimmt.
- 2) Zur Vermeidung elektrischer Schläge, die Versorgung erst anschließen, nachdem alle anderen Anschlüsse vorgenommen wurden.
- 3) Für den Netzanschluß Kabel Nr.16 AWG oder mit größerem Querschnitt verwenden, die für eine Temperatur von mindestens 75°C geeignet sind.
- 4) Nur Kupferleiter verwenden.
- 5) Die Signalkabel nicht parallel oder in der Nähe von Leistungskabeln oder Störquellen verlegen.
- 6) Bei der 24 V DC-Versorgung hat die Polarität keine Bedeutung.
- 7) Die Versorgungskreise sind NICHT durch eine Sicherung geschützt. Es wird daher empfohlen, einen externen Schutz mit folgenden Merkmalen vorzusehen: Sicherung Typ T, 1 A, 250 V.

Im Fall einer Beschädigung der Sicherung wird empfohlen, den gesamten Versorgungskreis überprüfen zu lassen. Zu diesem Zweck sollte das Gerät an den Lieferanten gesandt werden.

- 8) Gemäß den Sicherheitsvorschriften für ständig an das Stromnetz angeschlossene Geräte sind folgende Einrichtungen zu installieren:
 - Ein Schalter oder Auftrenner in der elektrischen Anlage des Gebäudes;
 - Der Auftrenner muß in unmittelbarer Nähe des Gerätes an einer für das Bedienungspersonal leicht zugänglichen Stelle installiert werden.
 - Der Schalter muß als Trennvorrichtung des Gerätes gekennzeichnet werden.
- 9) Den eventuell für die Netzversorgung vorgesehenen Nulleiter an den Endverschluß 12 anschließen.

ANMERKUNG: Ein Schalter oder Auftrenner kann mehrere Geräte steuern.

HARDWARE-VOREINSTELLUNGEN

1) Das Instrument aus dem Gehäuse ziehen.

2) Für die Ausgänge 1 und 2 mit Hilfe der Kodierstecker J 304 und J305 die Art des gewünschten Ausganges wählen.

J304 (AL 1, Kühlen) 1-2 = SSR 2-3 = Relais

J305 (Heizausgang) 1-2 = SSR 2-3 = Relais

3) Für den Ausgang 2 kann der verwendete Kontakt (NO oder NC) mittels J303 gewählt werden.

J303 (AL 1, Kühlen) 1-2 = Out NO 2-3 = Out NC

Anmerkung: J303 ist ein Lötstützpunkt und wird auf der Lötseite ausgeführt.

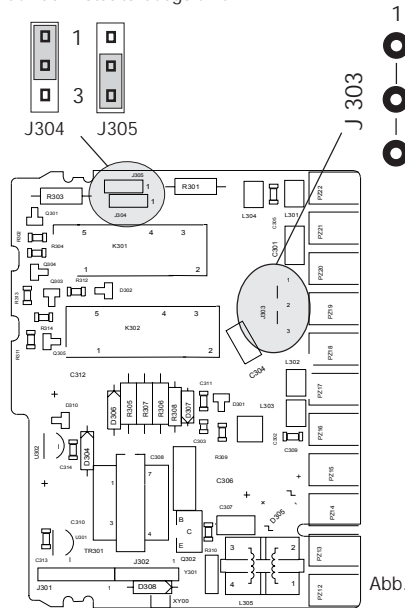


Abb. 11

FÜHLERBRUCHERFASSUNG

Dieses Gerät ist in der Lage, für TC- oder RTD-Eingänge einen offenen Meßkreis zu erfassen.

Die Öffnung des RTD-Meßkreises wird als Overrange-Bedingung (Bereichsüberschreitung) angezeigt.

Für den Thermoelement-Eingang kann die Art der Anzeige hingegen gewählt werden: Overrange-Anzeige (Standard) durch Schließung von CH2 und Öffnung von SH2.

Underrange-Anzeige durch Öffnung von CH2 und Schließung von SH2.

Beide Plätze befinden sich auf der Lötseite der CPU-Karte (siehe Zeichnung)

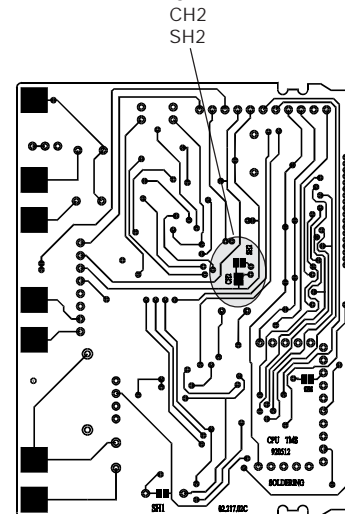


Abb. 12

**ALLGEMEINE ANMERKUNGEN
zur Konfiguration**

FUNC = Speichern der eingestellten Werte und Anwahl des darauf folgenden Parameters.

SMRT = Rückwärtstasten der Parameter, jedoch keine Speicherung.

▲ = Vergrößern des Werts des angewählten Parameters

▼ = Verkleinern des Werts des angewählten Parameters

KONFIGURATION

- 1) Das Instrument aus dem Gehäuse ziehen.
- 2) Den internen Hakenschalter V2 öffnen (siehe die untenstehende Abbildung.)

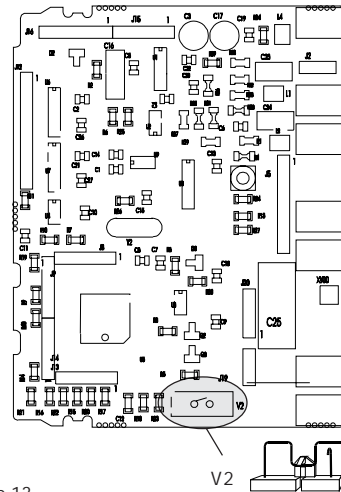


Abb.13

- 3) Das Instrument in das Gehäuse zurückschieben.
- 4) Das Instrument mit Strom versorgen. Das obere Display zeigt "CnF" an.

ACHTUNG: Falls das Gerät "CAL" anzeigt, sofort die Taste ▲ drücken und zur Konfiguration zurückkehren.

- 5) Die Taste FUNC drücken. Das untere Display zeigt den Code des angewählten Parameters an, während auf dem oberen Display der eingestellte Wert erscheint.

P1 - Art des Eingangs und Standardmeßbereich

0 = TC Art	L	Bereich	0 / +800 °C
1 = TC Art	J	Bereich	0 / +800 °C
2 = TC Art	K	Bereich	0 / +999 °C
3 = TC Art	N	Bereich	0 / +999 °C
4 = RTD Art	Pt 100	Bereich	-199/+500 °C
5 = RTD Art	Pt 100	Bereich	-19.9/+99.9 °C
6 = TC Art	T	Bereich	0 / +400 °C
8 = TC Art	L	Bereich	0 / +999 °F
9 = TC Art	J	Bereich	0 / +999 °F
10 = TC Art	K	Bereich	0 / +999 °F
11 = TC Art	N	Bereich	0 / +999 °F
12 = RTD Art	Pt 100	Bereich	-199 / +999 °F
13 = TC Art	T	Bereich	0 / +752 °F

TC = Thermoelement

RTD = Widerstandsthermometer

P2 = Anfangswert

Nicht verfügbar, wenn P1 = 5.

Der Anfangswert wird vom Algorithmus PID benutzt, um die Breite des Arbeitsbereichs zu berechnen. P2 kann innerhalb des mittels P1 eingestellten Eingangsbereichs programmiert werden.

Bei einer Änderung des Parameters P2, ordnet das Gerät dem Parameter rL automatisch den neuen Wert von P2 zu.

P3 = Endwert

Nicht verfügbar, wenn P1 = 5.

Der Endwert wird vom Algorithmus PID benutzt, um die Breite des Arbeitsbereichs zu berechnen.

P3 kann innerhalb des mittels P1 eingestellten Eingangsbereichs programmiert werden.

Bei einer Änderung des Parameters P3, ordnet das Gerät dem Parameter rH automatisch den neuen Wert von P3 zu.

ANMERKUNG: Die Breite des eingestellten Arbeitsbereichs (P3 - P2) muß über den folgenden Werten liegen oder gleich sein:

- 300 °C oder 600 °F für TC-Eingang;
- 100 °C oder 200 °F für RTD-Eingang.

P4 = Konfiguration der Ausgänge

H = Heizen

HC = Heizen/Kühlen

P5 = Art des Heizausgangs

rEL = Relaisausgang

SSr = Ausgang für SSR.

ANMERKUNG:

Bei Einstellung P5 = rEL, wird der Parameter C auf einen Wert von 20 Sekunden modifiziert.

Bei Einstellung P5 = SSr, wird der Parameter C auf einen Wert von 2 Sekunden modifiziert.

P6 = Art des Kühlausgangs

Nur verfügbar, wenn P4 = HC

Air = Luft

OIL = Öl

H2O = Wasser

ANMERKUNG:

Bei Einstellung P6 = Air, wird der Parameter C2 auf einen Wert von 10 Sekunden modifiziert,

während der Parameter rC den Wert 1.00 annimmt

Bei Einstellung P6 = Oil, wird der Parameter C2 auf einen Wert von 4 Sekunden modifiziert, während der Parameter rC den Wert 0.8 annimmt.

Bei Einstellung P6 = H2O, wird der Parameter C2 auf einen Wert von 2 Sekunden modifiziert, während der Parameter rC den Wert 0.4 annimmt.

P7 = Alarm 1

Nur verfügbar, wenn P4 = H.

0 = nicht vorgesehen

1 = Vollbereichsalarm

2 = Bandalarm

3 = Abweichungsalarm.

P8 = Alarm 1 - Wirkungsweise

Nur verfügbar, wenn P7 nicht 0 und P4 = H.

H.A. = Maximumalarm (außerhalb des Bandes) mit automatischer Rücksetzung

L.A. = Minimumalarm (innerhalb des Bandes) mit automatischer Rücksetzung

H.L. = Maximumalarm (außerhalb des Bandes) mit manuellem Rücksetzen

L.L. = Minimumalarm (innerhalb des Bandes) mit manuellem Rücksetzen

P9 = Unterdrückung des Alarms 1

Nur verfügbar, wenn P7 nicht 0 und P4 = H.

OFF = Alarmunterdrückung ausgeschaltet.

ON = Alarmunterdrückung eingeschaltet.

ANMERKUNG: Die Unterdrückung ermöglicht den Ausschluß der Alarme bei Einschaltung des Geräts oder, nur im Fall von Band- oder Abweichungsalarmen, nach Änderungen des Sollwerts. Die Alarme werden automatisch reaktiviert, wenn die ursprüngliche Alarmbedingung nicht mehr vorliegt.

P10 = Alarm 2

- 0 = nicht vorgesehen
- 1 = Vollbereichsalarm.
- 2 = Bandalarm
- 3 = Abweichungsalarm.

Der Ausgang des Alarms 2 ist mit dem Ausgang der Funktion "Heizleiterbruch" (HBD) in OR geschaltet (siehe Parameter P16).

P11 = Wirkungsweise Alarm 2 und Rücksetzen des Heizleiterbruch-Alarms

Dieser Parameter wird nur wenn P10 = 0 oder P16 = OFF ist, NICHT angezeigt.

H.A. = Maximumalarm (außerhalb des Bandes) mit automatischer Rücksetzung

L.A. = Minimumalarm (innerhalb des Bandes) mit automatischer Rücksetzung

H.L. = Maximumalarm (außerhalb des Bandes) mit manuellem Rücksetzen

L.L. = Minimumalarm (innerhalb des Bandes) mit manuellem Rücksetzen

ANMERKUNG: Der Heizleiterbruch-Alarm ist immer ein Minimumalarm, nimmt aber die für den Alarm 2 eingestellte Art der Rücksetzung an.

P12 = Unterdrückung des Alarms 2

Nur verfügbar, wenn P10 nicht 0 ist.

OFF = Alarmunterdrückung ausgeschaltet.

ON = Alarmunterdrückung eingeschaltet.

Weitere Angaben siehe Parameter P9.

P13 = Art der Meßwertkorrektur (OFFSET)

P13 = 0 konstanter OFFSET (P14) im gesamten Meßbereich.

P13 ist nicht 0 P13 zeigt den Punkt an, an dem der mit dem Parameter P14 eingestellte Offset- Wert angewandt wird.

ANMERKUNG: Die Parameter P13 und P14 ändern die Grenzen des Meß-oder

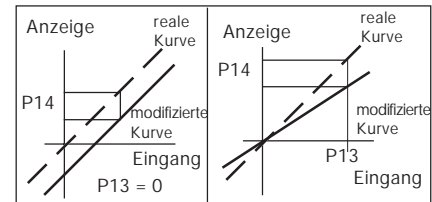
Anzeigebereichs des Geräts NICHT; deshalb erfolgt bei Überschreitung einer dieser Grenzen eine Bereichsüberschreitungsanzeige (Overrange oder Underrange).

P14 = OFFSET-Wert

Wenn P13 = 0, kann P14 in physikalischen Einheiten zwischen -20% und +20% des Eingangsbereichs (P1) programmiert werden.

Wenn P13 nicht 0 ist, kann P14 in physikalischen Einheiten zwischen -20% und +20% des Werts von P13 programmiert werden.

ANMERKUNG: Der Wert des Parameters P14 kann nicht unter -199 Einheiten liegen.



P15 = Schaltschwelle der "Soft-Start"-Funktion (weicher Start).

Schaltschwelle, in physikalischen Einheiten, zur automatischen Aktivierung der Soft Start -Funktion (zeitabhängige Ausgangsleistungsbegrenzung).

Wenn bei der Einschaltung des Geräts der Meßwert unter der eingestellten Schaltschwelle liegt, schaltet das Gerät automatisch die Begrenzung der Ausgangsleistung ein und hält sie eine vorprogrammierte Zeit lang aufrecht (siehe Parameter "tOL" im Abschnitt "BETRIEBSPARAMETER).

Wenn bei der Einschaltung der Parameter "tOL" gleich unendlich ist (Begrenzung immer eingeschaltet) berücksichtigt das Gerät diesen Parameter nicht.

P16 = Messung der Stromaufnahme der über den Hauptausgang gesteuerten Last (Heizleiterbruch)

OFF = Strommessung nicht aktiviert

n.O. = Strommessung während der ON-Periode eingeschaltet (Status 1 für SSR oder Last über den NO-Kontakt vorgesteuert).

n.C. = Strommessung während der OFF-Periode eingeschaltet (Status 0 für SSR oder Last über den NC-Kontakt vorgesteuert).

P17 = Endwert Stromwandler

Nur verfügbar, wenn P16 nicht OFF ist.

10 = 10 A Endwert (Auflösung 0.1 A)

25 = 25 A Endwert (Auflösung 1 A)

50 = 50 A Endwert (Auflösung 1 A)

100 = 100 A Endwert (Auflösung 1 A)

P18 = Zugriffsschlüssel für die Regelparameter

0 = Parameter immer zugänglich.

1 = Der Sollwert kann geändert werden; alle anderen Parameter sind geschützt.

Von 2 bis 499 = SP (Sollwert) kann immer geändert werden, während dieser Nummerncode die Änderung der restlichen Betriebsparameter freigibt oder sperrt.

Von 500 bis 999 = SP, A1 und A2 können immer geändert werden, während dieser Nummerncode die Änderung der restlichen Betriebsparameter freigibt oder sperrt.

ANMERKUNG: Nachdem die Taste FUNC gedrückt wurde, kann der Wert dieses Parameters NICHT mehr angezeigt werden. Falls der alte Sicherungscode nicht bekannt ist, einen neuen einstellen.

Die Standardkonfigurationsprozedur ist abgeschlossen und das Gerät zeigt auf beiden Displays " - . - . - ." an.

Falls keine weiteren Einstellungen vorgenommen werden sollen, FUNC drücken, wodurch das Gerät an den Anfang des Konfigurationsverfahrens zurückkehrt.

Falls eine vollständige Konfiguration durchgeführt werden soll, die Tasten ▲ oder ▼ drücken und auf dem oberen Display den Wert 217 einstellen.

Die Taste FUNC drücken; das Gerät beginnt das Hilfskonfigurationsverfahren, wobei es die folgenden zusätzlichen Parameter anzeigt:

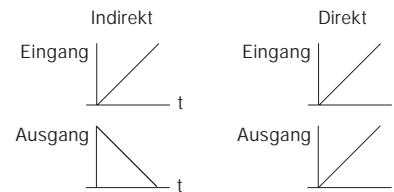
P19 - Verhalten des Hauptausgangs

Nur verfügbar, wenn P4 = H.

r = indirekt (Heizen)

d = direkt (Kühlen)

Anmerkung: Wenn P4 = HC, wird dieser Parameter auf "r" modifiziert.



P21 - Verhalten des Relais in Bezug auf den Alarm 1

Dieser Parameter wird nur angezeigt, wenn P7 nicht 0 und P4 gleich H ist.

r = indirekt (Relais bei Alarm abgefallen).

d = direkt (Relais bei Alarm angezogen).

P22 - Verhalten des Relais in Bezug auf den Alarm 2

Dieser Parameter wird nicht angezeigt, wenn P10 = 0 und P16 = OFF ist.
r = indirekt (Relais bei Alarm abgefallen)
d = direkt (Relais bei Alarm angezogen).

P23 - Automatische Änderung der "relativen Kühlverstärkung".

Nur verfügbar, wenn P4 = HC.

OFF = Die SMART-Funktion ändert den Wert des Parameters "relative Kühlverstärkung" **NICHT**.

ON = Die SMART-Funktion ändert den Wert des Parameters "relative Kühlverstärkung".

P24 - Höchstgeschwindigkeit der Änderung des Ausgangssignals

Dieser Parameter ermöglicht die Einstellung der Höchstgeschwindigkeit der Änderung des Ausgangssignals.

P24 kann von 1 bis 10% des Ausgangsbereichs pro Sekunde eingestellt werden.

Bei Werten über 10% schaltet das obere Display sich aus und das Gerät führt keine Begrenzung der Änderungsgeschwindigkeit durch.

P25 - Anzeige der verriegelten Parameter

Dieser Parameter wird nur angezeigt, wenn P18 nicht 0 ist.

OFF = Das Gerät zeigt die verriegelten Parameter **NICHT** an.

ON = Alle Parameter können angezeigt werden.

P26 - Aktivierung/Deaktivierung der SMART-Funktion

0 = Die SMART-Funktion ist immer deaktiviert.

1 = Die Aktivierung bzw. Deaktivierung der SMART-Funktion ist **NICHT** verriegelt.

2 = Die Aktivierung bzw. Deaktivierung der SMART-Funktion ist verriegelt.

P27 - Von der SMART-Funktion einstellbarer max. Wert des Proportionalbandes.

Nur verfügbar, wenn P26 nicht 0 ist.

Dieser Parameter kann zwischen dem Wert von P28 oder P29 und 99,9 programmiert werden.

P28 - Von der SMART-Funktion einstellbarer min. Wert des Proportionalbandes

Nur verfügbar, wenn P26 nicht 0 und P4 = H.

Dieser Parameter kann zwischen 1,0% und dem Wert von P27 programmiert werden.

P29 - Von der SMART-Funktion nur für die Regelung Heizen/Kühlen einstellbarer min. Wert des Proportionalbandes

Nur verfügbar, wenn P26 nicht 0 und P4 = HC.

Dieser Parameter kann zwischen 1,5% und dem Wert von P27 programmiert werden.

P30 - Mindestwert des von der SMART-Funktion einstellbaren Integralanteils.

Nur verfügbar, wenn P26 nicht 0 ist.

P30 ist von 00,1 [mm.s] bis 02,0 [mm.s] programmierbar.

P31 - Erweiterung des Anti-reset-wind up

Bereich: Von -30 bis +30% des Proportionalbandes.

ANMERKUNG: Ein positiver Wert erhöht die max. Grenze der Funktion (über den Sollwert), während ein negativer Wert die min. Grenze der Funktion senkt (unter den Sollwert).

Das Hilfskonfigurationsverfahren ist abgeschlossen und das Gerät zeigt auf dem oberen Display "CnF" an.

BETRIEBSMODUS

- 1) Das Gerät aus dem Gehäuse ziehen.
- 2) Den Hakenschalter V2 (siehe Abb.13) schließen.
- 3) Das Gerät in das Gehäuse zurückschieben.
- 4) Das Gerät mit Strom versorgen.

Das obere Display zeigt den Meßwert an, während auf dem unteren Display der eingestellte Sollwert erscheint (dieser Zustand wird als "Normale Anzeigeart" definiert).

Anmerkung: Erfolgt eine Sollwertvorgabe mittels Rampenfunktion Parameter rP), könnte der Wert des angezeigten Sollwerts vom Betriebsollwert abweichen.

Wenn die Funktion HBD (Heizleiterbruch) konfiguriert und der Regelausgang aktiviert ist und das Gerät auf normale Anzeigeart gestellt ist, kann durch Druck auf die Taste ▲ auf dem unteren Display der Wert (gefolgt von dem Symbol A) des Stromverbrauchs der über den Ausgang 1 vorgesteuerten Last angezeigt werden.

ANMERKUNG: Diese Anzeige ist KEINER zeitlichen Begrenzung (Time out) unterworfen. Um zur normalen Anzeigeart zurückzukehren, erneut die Taste ▲ drücken.

SMART-ALGORITHMUS

Der Algorithmus SMART ist ein neuer Algorithmus zur automatischen Selbstoptimierung. Das Gerät verwendet die SMART-Funktion zur automatischen Berechnung und Einstellung der Regelparameter. Der SMART-Algorithmus kann immer eingeschaltet sein, um eine ständige Selbstoptimierung der Parameter in Funktion der eventuellen Änderungen der Bedingungen der Anlage zu erhalten. Zur Aktivierung dieser Funktion, die Taste SMRT länger als 1,5 s niederdrücken, wenn das Gerät auf "Normale Anzeigart" eingestellt ist. Die Kontrollampe SMRT beginnt, in Funktion der Selbstoptimierungsphase, zu blinken oder stetig zu leuchten. Zur Deaktivierung der SMART-Funktion, einfach die Taste SMRT drücken; die entsprechende Lampe SMRT schaltet sich aus.

ANMERKUNGEN:

- 1) Wenn die SMART-Funktion aktiviert ist, wird die relative Kühlverstärkung (wenn vorhanden) auf den Bereich der folgenden Werte begrenzt:

Kühlmedium	Bereich
Luft	von 0,85 bis 1,00
Öl	von 0,80 bis 0,90
Wasser	von 0,30 bis 0,60
- 2) Die SMART-Funktion verwendet eine Vorhalteaktion die einem Viertel der Nachstellaktion entspricht.
- 3) Die von der SMART-Funktion einstellbaren Grenzen des Proportionalbandes und der Integralzeit können über die Parameter P27, P28, P29 und P30 programmiert werden (siehe Abschnitt 3).
- 4) Die Aktivierung/Deaktivierung der SMART-Funktion kann durch den Sicherheitsschlüssel geschützt werden (siehe Parameter P18).
- 5) Wenn die SMART-Funktion eingeschaltet ist, können die Parameter Pb, ti und td nicht über die Frontta statur geändert werden. Für den Parameter rC siehe P23.

SPERRE DES AUSGANGSSIGNALS

Das Modell TMS ermöglicht die manuelle Sperre des Ausgangssignals, um die Regelaktion zu unterbrechen (in diesem Fall funktioniert das Instrument als einfaches Anzeigegerät).

Zur Sperre des Ausgangssignals wie folgt vorgehen:

- 1) Die Taste ▲ drücken und niedergedrückt halten.
- 2) Die Taste FUNC drücken.
- 3) Beide Tasten länger als 3 Sekunden lang niedergedrückt halten.

Auf dem oberen Display erscheint die Meldung "OFF", womit die Sperre des Regelausgangs angezeigt wird.

Soll die automatische Regelung wieder aktiviert werden, die oben angeführten Schritte wiederholen: Das Gerät kehrt automatisch zur "Normalen Anzeigart" zurück.

ANMERKUNGEN:

- 1) Das Gerät speichert den Zustand der Sperre des Ausgangs.
- 2) Wenn das Ausgangssignal gesperrt wird, während die SMART-Funktion den ersten Teil des Selbstoptimierungs-Algorithmus durchführt (die LED SMRT blinkt), unterbricht das Gerät die Ausführung des Algorithmus und bei der Rückkehr zur normalen Regelfunktion ist die SMART-Funktion ausgeschaltet.
Wenn das Ausgangssignal gesperrt wird, während die SMART-Funktion den Teil der ständigen Selbstoptimierung des Algorithmus durchführt (die LED SMRT leuchtet stetig), unterbricht das Gerät vorübergehend die Ausführung des Algorithmus; sobald das Gerät zum normalen Regelverhalten zurückkehrt, ist die SMART-Funktion erneut aktiviert.

HEIZLEITERBRUCH-ALARM (Alarm bei Funktionsstörung der über den Hauptausgang gesteuerten Last)

Diese Funktion ermöglicht es, die Stromaufnahme der über den Heizausgang vorgesteuerten Last ständig zu kontrollieren und einen Alarm zu erzeugen, falls ein Stromverbrauch erfaßt wird, der unter der eingestellten Schaltschwelle liegt. Zur Anzeige der Stromaufnahme dieser Last, die Taste ▲ drücken, wenn das Gerät auf "Normale Anzeigart" eingestellt ist. Das obere Display zeigt weiterhin den Istwert an, während das untere Display den abgenommenen Strom anzeigt (in Ampere), gefolgt von der physikalischen Einheit (A). Um zur "Normalen Anzeigart" zurückzukehren, erneut die Taste ▲ drücken. Falls das Gerät einen Alarmzustand erfaßt, beginnt die LED AL2/HB zu blinken und das dem Ausgang 3 entsprechende Relais spricht an.

DIREKTE ÄNDERUNG DES SOLLWERTS

Bei diesem Gerät kann der Sollwert ohne Verwendung der Taste FUNC geändert werden. Wenn der eingestellte Sollwert rasch geändert werden soll, wie folgt vorgehen:

- 1) Länger als 3 Sekunden lang die Taste ▲ oder ▼ drücken; Der auf dem unteren Display angezeigte Sollwert beginnt sich zu ändern.
- 2) Mit den Tasten ▲ und ▼ den gewünschten Sollwert einstellen.
- 3) Sobald der gewünschte Wert erreicht ist, mindestens 3 Sekunden lang KEINE Taste drücken. Der neue Sollwert wird 3 Sekunden nach dem letzten Tastendruck wirksam.

Falls während dieses Verfahrens die Änderung des Sollwerts unterbrochen werden soll, die Taste FUNC drücken; das Gerät kehrt automatisch zur normalen Anzeigart zurück, ohne den neuen Wert zu speichern.

ÜBERPRÜFUNG DER KONTROLLAMPEN (LAMP TEST)

Zur Überprüfung der einwandfreien Funktionstüchtigkeit der Anzeige, die Tasten ▼ und FUNC drücken. Das Gerät schaltet alle LED'S der Anzeige mit einem festen Zyklus gleich 50% ein (dieser Status wird LAMP TEST genannt).

Für den LAMP TEST ist kein Time out festgesetzt. Um zur "Normalen Anzeigart" zurückzukehren, erneut die Tasten ▼ und FUNC drücken.

Während des LAMP TESTS ist das Gerät normal betriebsbereit, aber über die Fronttastatur kann nur der Test deaktiviert werden.

BETRIEBSPARAMETER

Änderung der Betriebsparameter

Die Taste FUNC drücken: Das untere Display zeigt den Code an, während auf dem oberen Display der Wert des angewählten Parameters erscheint.

Mit den Tasten ▲ und ▼ kann der gewünschte Wert oder Status eingestellt werden.

Durch Druck auf die Taste FUNC speichert das Gerät den neuen Wert (oder neuen Status) und geht zur Anzeige des folgenden Parameters über. Ein kurzer Druck auf die Taste SMRT ermöglicht es, zum vorangegangenen Parameter zurückzukehren, ohne den neuen Wert des aktuellen Parameters zu speichern.

Einige der folgenden Parameter könnten, in Funktion der Konfiguration des Geräts, nicht angezeigt werden.

ANMERKUNGEN:

- 1) Wenn während der Änderung oder Anzeige der Parameter länger als 10 Sekunden keine Taste gedrückt wird, kehrt das Gerät zur "Normalen Anzeigeart" zurück, ohne den neuen Wert des letzten Parameters zu speichern.
- 2) Das Gerät zeigt nicht alle Parameter an, sondern nur jene, die in Funktion:
 - a) der Konfiguration des Geräts
 - b) der Einstellung des Parameters P25
 - c) der Einstellung des Proportionalbandessignifikant sind.

Param. Beschreibung

- SP **Haupt-Sollwert** (in physikalischen Einheiten)
Bereich: von rL bis rH.
- n.r.S **Manuelles Rücksetzen der Alarme**
Dieser Parameter wird angezeigt, wenn zumindest ein Alarm mit manuellem Rücksetzen programmiert wurde.
ON einstellen und FUNC drücken, um die Alarme zurückzusetzen.
- nnn **Sicherungsschlüssel für die Verriegelung der Parameter**
Wird nicht angezeigt, wenn P18= 0 oder 1.
Das Gerät zeigt bei Einschaltung den Status an:
ON= Die Parameter sind verriegelt.
OFF= Die Parameter sind nicht verriegelt.
Falls die Verriegelung der Parameter deaktiviert werden soll, einen Wert einstellen, der dem P18 zugeordneten Wert gleich ist.
Wenn die Verriegelung wieder aktiviert werden soll, einen Wert einstellen, der von dem P18 zugeordneten Wert abweicht.
- A1 **Schaltswelle Alarm 1**
A1 wird nur angezeigt, wenn der Alarm konfiguriert wurde.
Bereiche:
- Innerhalb des Eingangsbereiches für Vollbereichsalarme.
- Von 0 bis 500 Einheiten für Bandalarme.
- Von -199 bis 500 Einheiten für Abweichungsalarme.
- A2 **Schaltswelle Alarm 2**
Für weitere Angaben siehe Parameter A1.
- H1 **Hysterese Alarm 1**
Dieser Parameter wird nur angezeigt, wenn der entsprechende Alarm konfiguriert wurde.
Bereich: Von 0,1% bis 10,0% des Eingangsbereiches oder 1 LSD.

- Anmerkung:** Falls die Hysterese eines Bandalarms breiter als das Band des Alarms selbst ist, verwendet das Gerät einen Hysteresewert der dem programmierten Bandwert minus einem Digit entspricht.
- H2 **Hysterese Alarm 2**
Für weitere Angaben siehe Parameter H1.
- Pb **Proportionalband**
Bereich: Von 1,0% bis 99,9% der Breite des Eingangsbereichs bei einem Regelausgang. Von 1,5% bis 99,9% der Breite des Eingangsbereichs bei zwei Regelausgängen
Wenn $P_b = 0$, wird das Regelverhalten ON/OFF; die Parameter t_i , t_d , IP, C, C2, rC, OLP, OLH und tOL werden nicht angezeigt, und die SMART-Funktion kann nicht aktiviert werden.
Anmerkung: Falls die Hysterese des Bandalarms breiter als das Band des Alarms selbst ist, verwendet das Gerät einen Hysteresewert, der dem programmierten Bandwert minus einem Digit entspricht.
- HS **Hysterese für die ON/OFF-Regelung**
HS ist nur verfügbar, wenn $P_b = 0$.
Bereich: Von 0,1% bis 10,0% der Breite des Eingangsbereichs.
- t_i **Nachstellzeit (Integralzeit)**
"ti" wird nicht angezeigt, wenn $P_b = 0$ (ON/OFF-Regelverhalten).
Bereich: Von 00,1 bis 20,0 mm.ss. Bei höheren Werten verdunkelt sich das Display und die Nachstellzeit wird ausgeschlossen.
Anmerkung: Wenn die SMART-Funktion verwendet wird, wird der Mindestwert der Integralzeit durch den Parameter P30 festgelegt.
- t_d **Vorhaltezeit (Differentialzeit)**
"td" wird nicht angezeigt, wenn $P_b = 0$ (ON/OFF-Regelverhalten).
Bereich: Von 0,01 bis 9,59 m.ss. Wird der Wert 0 eingestellt, ist die Vorhaltezeit ausgeschlossen.
- Anmerkung:** Wird die SMART-Funktion verwendet, entspricht der Wert des Parameters "td" einem Viertel des dem Parameter "ti" zugeordneten Werts.
- IP **Anfangsladen der Nachstellzeit.**
"IP" wird nicht angezeigt, wenn $P_b = 0$.
(ON/OFF-Aktion) Bereiche:
- Von 0 bis 100%, wenn $P_4 = H$
- Von -100 bis 100%, wenn $P_4 = HC$
- C **Zykluszeit Ausgang 1**
C ist nur verfügbar, wenn P_b nicht 0 ist.
Bereich: Von 1 bis 200 s.
- C2 **Zykluszeit Ausgang 2**
C2 ist nur verfügbar, wenn $P_4 = "HC"$ und P_b nicht 0 ist.
Bereich: Von 1 bis 200 s.
- rC **Relative Kühlverstärkung**
"rC" wird nicht angezeigt, wenn $P_b = 0$ (ON/OFF-Regelverhalten) oder wenn $P_4 = H$.
Bereich: Von 0,20 bis 1,00.
Anmerkung: Wenn die SMART-Funktion aktiviert ist, wird der Parameter "rC" in Funktion des gewählten Kühlmediums begrenzt:
- von 0,85 bis 1,00 wenn $P_6 = Air$
- von 0,80 bis 0,90 wenn $P_6 = OIL$
- von 0,30 bis 0,60 wenn $P_6 = H_2O$
- OLP **Überlagerung/Totband zwischen Heizen und Kühlen**
"OLP" wird nicht angezeigt, wenn $P_b = 0$ (ON/OFF-Regelverhalten) oder wenn $P_4 = H$.
Ein negativer Wert zeigt ein Totband an, ein positiver Wert eine Überlagerung.
Bereich: Von -20 bis 50.
- rL **Untere Grenze des Sollwerts**
Bereich: Vom Anfangswert (P_2) bis rH.
Anmerkung: Bei einer Änderung von P_2 , wird auch rL automatisch angeglichen.

rH **Obere Grenze des Sollwerts**

Bereich: Von rL bis zum Endwert (P3).

Anmerkung: Bei einer Änderung von P3, wird auch rH automatisch angeglichen.

rP **An die Änderungen des Sollwerts angelegte Rampe**

Bereich: von 1 bis 100 Digits/Minute. Über diesem Wert, zeigt das Display "Inf" an und die Umschaltung erfolgt in einem Sprung.

OLH **Max.Grenze des Regelausgangs**

"OLH" wird nicht angezeigt, wenn Pb = 0 (ON/OFF-Aktion).

Bereich:

- Von 0 bis 100%, wenn P4 = H

- Von -100 bis 100%, wenn P4 = HC

tOL **Dauer der Ausgangsleistungsbegrenzung**

"tOL" wird nicht angezeigt, wenn Pb = 0 (ON/OFF-Aktion).

Bereich: Von 1 bis 100 Min. Bei höheren Werten zeigt das Display "Inf" an und die Begrenzung ist immer aktiviert.

Anmerkung: Der Parameter tOL kann jederzeit geändert werden, aber der neue Wert wird erst bei der folgenden Einschaltung des Geräts wirksam.

Hbd **Schaltswelle für die Anzeige des Stromverbrauchs der über den Heizausgang vorgesteuerten Last.**

Dieser Parameter wird nur angezeigt, wenn P16 nicht OFF ist.

Bereich: Innerhalb des Meßbereichs des Stromwandlers (siehe Parameter P17).

FEHLERMELDUNGEN

ANZEIGE VON ÜBER-BZW. UNTERSCHREITUNGEN DES MESSBEREICHS

Das Gerät zeigt die Erfassung einer Meßbereichsüberschreitung (OVERRANGE) auf dem oberen Display mit dem folgenden graphischen Zeichen an:



Bei Unterschreitung des Meßbereichs (UNDERRANGE) erscheint hingegen die folgende graphische Anzeige



Der Bruch des Fühlers wird folgendermaßen angezeigt:

-Thermoelement-/mV-Eingang: OVERRANGE oder UNDERRANGE durch Positionierung des Kodiersteckers wählbar (siehe Abb. 12).

-Widerstandsthermometer-Eingang: OVERRANGE
Für den Widerstandsthermometer-Eingang signalisiert das Instrument eine OVERRANGE-Bedingung, wenn der Eingangswiderstand unter 15 Ohm liegt (Erfassung des Kurzschlusses des Fühlers).

ANMERKUNG:

- Wenn das Instrument für die Verwendung eines einzigen Regelausgangs programmiert wurde und eine OVERRANGE- Bedingung erfaßt hat, wird der Ausgang 1 auf 0 modifiziert (durch umgekehrte Aktion), oder auf 100% (durch direkte Aktion).
- Wenn das Instrument für die Verwendung von zwei Regelausgängen programmiert wurde und eine OVERRANGE- Bedingung erfaßt hat, wird der Ausgang 1 auf 0, und der Ausgang 2 auf 100% modifiziert.
- Wenn das Instrument für die Verwendung eines einzigen Regelausgangs programmiert wurde und eine UNDERRANGE - Bedingung erfaßt hat, wird der Ausgang 1 auf 100% modifiziert (durch umgekehrte Aktion), oder auf 0 (durch direkte Aktion).
- Wenn das Instrument für die Verwendung von zwei Regelausgängen programmiert wurde und eine UNDERRANGE- Bedingung erfaßt hat, wird der Ausgang 1 auf 100%, und der Ausgang 2 auf 0 modifiziert.

FEHLERMELDUNGEN

Das Gerät ist mit einigen Selbstdiagnose- Algorithmen versehen.

Falls diese Algorithmen eine Störung erfassen, erscheint auf dem unteren Display die Schrift "Err", während das obere Display die Kennzahl des erfaßten Fehlers anzeigt.

VERZEICHNIS DER MÖGLICHEN FEHLER

- 100 Schreibfehler im EEPROM-Speicher.
- 150 Allgemeiner Fehler in der CPU.
- 200 Einschreiberversuch in geschützte Speicher.
- 201-2xx Fehler der Konfiguration der Parameter.
Die beiden letzten Ziffern zeigen die Nummer des falschen Parameters an.
- 301 Fehler bei der Eichung für den RTD Eingang.
- 305 Fehler bei der Eichung für den TC Eingang.
- 307 Fehler bei der Eichung der Vergleichsstelle.
- 310 Fehler bei der Eichung für den Stromwandler-Eingang.
- 400 Fehler in den Regelparametern.
- 500 Fehler während des automatischen Nullabgleichs.
- 502 Fehler während der Messung der Vergleichsstelle.
- 510 Allgemeiner Fehler während der Eichung.

ANMERKUNGEN:

- 1) Wenn das Instrument einen Fehler in den Konfigurationsparametern erfaßt, genügt es, die Konfiguration des entsprechenden Parameters zu wiederholen.
- 2) Wird der Fehler 400 angezeigt, gleichzeitig die Tasten ▼ und ▲ drücken und die vordefinierten Parameter laden; anschließend die Einstellung der Regelparameter wiederholen.
- 3) Bei allen anderen Fehlermeldungen den Lieferanten informieren.

TECHNISCHE MERKMALE

TECHNISCHE SPEZIFIKATIONEN

Gehäuse: Schwarzes PC-ABS; Grad der Selbstlöschung: V-0 gemäß UL 94.

Frontschutz: Entwickelt und getestet zur Gewährleistung der Schutzklasse IP 65 (*) und NEMA 4X bei Verwendung in geschlossenen Räumen.

(* Die Überprüfungen wurden gemäß den CEI-Normen 70-1 und NEMA 250-1991 durchgeführt.

Installation: Fronttafeleinbau.

Rückseitiger Anschlußblock: 21 Schraubanschlüsse (Schraube M3 für Kabel mit \varnothing von 0,25 bis \varnothing 2,5mm² oder von AWG 22 bis AWG 14), mit Anschlußbildern und Sicherheitsabdeckungen.

Abmessungen: Gemäß DIN 43700 48 x 96 mm, Tiefe 89 mm.

Gewicht: 600 g.

Versorgung:

- Von 100 V bis 240 VAC, 50/60 Hz (von -15% bis + 10% des Nennwerts).

- 24 V AC/DC (\pm 10% des Nennwerts).

Leistungsaufnahme: max. 6 VA

Isolationswiderstand: > 100 M Ω gemäß IEC 1010-1.

Isolationsspannung: 1500 V rms gemäß IEC 1010-1.

Abtastrate: 500 ms.

Auflösung: 30000 Zählungen.

Genauigkeit: \pm 0,2% Endwert \pm 1 Digit @ 25°C Umgebungstemperatur.

Gleichtaktunterdrückung: 120 dB bei 50/60 Hz.

Serientaktunterdrückung: 60 dB bei 50/60 Hz.

Elektromagnetische Kompatibilität und Sicherheitsnormen: Dieses Gerät trägt das CE-Zeichen und entspricht daher den Richtlinien 89/336/EEC (in Einklang stehende Bezugsstandards EN 50081-2 und EN 50082-2) und den Richtlinien 73/23/EEC und 93/68/EEC (Bezug nehmen auf die Allgemeine Vereinheitlichte Norm EN 61010-1).

Installationsklasse: II

Temperaturdrift: (CJ ausgeschlossen)

< 400 ppm/°C für den Eingang von Thermoelement T und von RTD mit Meßbereich -19,9/99,9°C.

< 200 ppm/°C für die anderen Eingänge.

Betriebstemperatur: Von 0 bis 50 °C.

Lagertemperatur: Von -20 bis + 70°C.

Feuchtigkeit: Von 20% bis 85% RH, nicht kondensierend.

Schutzschaltungen:

1) WATCH DOG- Schaltung für automatische Wiedereinschaltung.

2) DIP-Schalter zum Schutz der Konfigurations- und Kalibrationsparameter.

EINGÄNGE

A) THERMOELEMENTE

Art: L-J-K-T-N. °C/°F einstellbar.

Externer Widerstand: Max. 100 Ω , mit max. Fehler gleich 0,1% der Breite des eingestellten Bereichs.

Burn out: Als Overrange-Zustand angezeigt (Standard). Mittels Kodierstecker kann die Underrange-Anzeige gewählt werden.

Vergleichsstelle: Automatische Kompensation von 0 bis 50°C.

Genauigkeit der Vergleichsstelle: 0,1°C/°C.

Eingangswiderstand: >1 M Ω

Eichung: Gemäß IEC 584-1 und DIN 43710-1977.

TABELLE STANDARDSKALEN

TC Art	Skalen	
L	0 / + 800 °C	0 / + 999 °F
J	0 / + 800 °C	0 / + 999 °F
K	0 / + 999 °C	0 / + 999 °F
T	0 / + 400 °C	0 / + 752 °F
N	0 / + 999 °C	0 / + 999 °F

B) RTD (Resistance Temperature Detector)

Art: Pt 100, 3-Leiteranschluß.

Strom: 135 µA.

Leitungswiderstand: Automatische Kompensation bis zu 20Ω/Leiter mit:

- Fehler >±0,1% der Breite des Eingangsbereichs für den Bereich -19,9 bis 99,9 °C.
- nicht meßbarem Fehler für alle anderen Bereiche.

Physikalische Einheiten: °C oder °F einstellbar.

Burn out: Beim Endwert. **ANMERKUNG:** Eine spezielle Kontrollfunktion erzeugt eine OVERRANGE-Meldung, wenn der Eingangswiderstand unter 15 Ω liegt.

Eichung: Gemäß DIN 43760.

TABELLE - STANDARDSKALEN

Art des Eingangs	Meßbereich	
RTD Pt 100	-199 +500 °C	-199 +999 °F
RTD Pt 100	-19,9 +99,9 °C	-----

C) EINGANG VON STROMWANDLER

Eingangstrom: 50 mA AC

Anzeige: 10, 25, 50 oder 100 A einstellbar.

Auflösung:

- Für den Meßendwert 10 A: 0,1 A.
- Für die anderen Meßendwerte: 1 A.

Aktive Periode:

- Für Relaisausgang: NO oder NC einstellbar.
- Für SSR-Regelausgang: Logikstatus 1 oder 0 einstellbar.

Mindestdauer der aktiven Periode: 50 ms.

REGELAKTIONEN:

Regelaktion: PID oder SMART

Proportionalband: Von 1,0% (bei einem Regelausgang) oder von 1,5% (bei zwei Regelausgängen) bis 99,9% der Breite des Eingangsbereichs.

Wird Pb = 0 eingestellt, ist das Regelverhalten der Art ON/OFF.

Hysterese (für ON/OFF-Regelung): von 0,1% bis 10,0% der Breite des Eingangsbereichs.

Integralzeit: Von 10" bis 20'; Auflösung 10 Sekunden. Die Einstellung einer Zeit über 20 Minuten, bewirkt den Ausschluß der Integralzeit.

Differentialzeit: Von 0 bis 9' 59".

Vorladen der Integralzeit:

- von 0 bis 100% für einen Regelausgang.
- von -100 bis 100% für zwei Regelausgänge.

Zykluszeit des Hauptausgangs: von 1 bis 200 s.

Zykluszeit des Kühlausgangs: von 1 bis 200 s.

Relative Kühlverstärkung: von 0,20 bis 1,00.

ANMERKUNG: Die Parameter PB, TI, TD und RCG können begrenzt werden, wenn die SMART-Funktion aktiviert ist.

Überlagerung/Totband: von -20% bis 50%.

REGELAUSGÄNGE

Art: Zeitproportional

Aktualisierungszeit: 500 ms.

Auflösung des Ausganges: 1% der Breite des Bereichs:

Regelverhalten: Direkt oder indirekt einstellbar.

Ausgangsleistungsbegrenzung:

- bei einem Regelausgang: von 0,0 bis 100,0%
- bei zwei Regelausgängen: von -100,0 bis +100,0%

Diese Funktion kann beim Einschalten des Geräts eine vorprogrammierbare Zeit lang wirksam sein (zur Vermeidung von Wärmeshocks oder zur Vorwärmung der Anlage).

AUSGANG

- a) Relaisausgang mit SPDT-Kontakt;
Kontaktbelastbarkeit 3A/250 V AC bei ohmscher Belastung.
- b) Logikspannung für die Steuerung von Halbleiterrelais:
Logikstatus 1: 24 V ± 20% @ 1 mA.
14 V ± 20% @ 20 mA.
Logikstatus 0: < 0,5 V

Regelverhalten des Ausgangs: direkt/indirekt einstellbar. Die Wahl zwischen Relaisausgang oder Logikspannung erfolgt mittels Kodierstecker und Konfigurationsparameter.

Ausgang 2 - Kühlen oder Alarm 1

- a) Relaisausgang mit SPDT-Kontakt;
Kontaktbelastbarkeit 2A/250 V AC bei ohmscher Belastung.
- b) Logikspannung für die Steuerung von Halbleiterrelais:
Logikstatus 1: 24 V ± 20% @ 1 mA.
14 V ± 20% @ 20 mA.
Logikstatus 0: < 0,5 V

Die Wahl zwischen Relaisausgang oder Logikspannung erfolgt mittels Kodierstecker und Konfigurationsparameter.

ALARME

Das Gerät kann mit zwei unabhängigen Alarmen geliefert werden.
Der Alarm 1 ist eine Standardfunktion des Geräts, während der Alarm 2 ein Optional ist.
Jeder Alarm kann auf die folgenden Weisen konfiguriert werden:

Vollbereichsalarme:

Wirkungsweise: Maximum-oder Minimalalarm.
Schaltswelle: In physikalischen Einheiten innerhalb des Eingangsbereichs (P3 -P2).

Bandalarme:

Wirkungsweise: innerhalb oder außerhalb des Bandes.

Schaltswelle: Von 0 bis 500 Einheiten einstellbar.

Abweichungsalarme:

Wirkungsweise: Unter oder über dem eingestellten Wert.

Schaltswelle: Von -500 bis + 500 Einheiten einstellbar.

Regelverhalten: Direkt oder indirekt einstellbar.

Auflösung der Schaltswelle: 1 Digit

Alarmhysterese: Von 0,1% bis 10,0% der Breite des Eingangsbereichs einstellbar.

Rücksetzen der Alarme: Für jeden Alarm automatisch oder manuell einstellbar.

Alarmunterdrückung: Jeder Alarm kann mit oder ohne Unterdrückung programmiert werden. Diese Funktion ermöglicht die Eliminierung falscher Alarmanzeigen bei der Einschaltung des Geräts oder nach einer Änderung des Sollwerts.

Alarmanzeige: Die LED AL1/COOL ist eingeschaltet, wenn der Alarm auf ON steht. Die LED AL2/HBD verhält sich wie in der folgenden Tabelle wiedergegeben.

HBD Status	AL2 Status	LED AL2/HBD
0	0	OFF
0	1	ON
1	0	blinkt langsam
1	1	blinkt schnell

Alarmausgänge:

- 1) Alarm 1: Relaisausgang mit SPST-Kontakt;
Kontaktbelastbarkeit 3A/250 V AC bei ohmscher Belastung.
- 2) Alarm 2: Relaisausgang mit SPST-Kontakt;
Kontaktbelastbarkeit 2A/250 V AC bei ohmscher Belastung.

ANMERKUNG: Die Funktionen Alarm 2 und HBD sind an den Ausgang 2 in OR geschaltet.

HEIZLEITERBRUCH-ALARM

Dieser Eingang (Optional) ermöglicht es, mittels eines Stromwandlers den während der aktiven Periode des Ausgangs 1 in der Hauptlast zirkulierenden Strom zu messen und eine Alarmanzeige zu erzeugen, falls dieser Wert unter eine einstellbare Schaltschwelle sinkt (der Alarmausgang ist mit dem Alarm 2 in OR geschaltet).

Auflösung der Schaltschwelle: 1 Digit

Hysterese des Alarms: 1% des angewählten Bereichs.

Alarmanzeige: Die LED 'AL2 HB' blinkt in ON-Bedingung.

SONDERFUNKTIONEN

Sperre des Ausgangsignals

Diese Funktion ermöglicht es, die Leistung der Regelausgänge auf Null zu modifizieren, sowie den Kontrollalgorithmus und die Alarmfunktion zu sperren.

Auf diese Art wird dem Regelement Strom entzogen und das Instrument arbeitet als einfaches Anzeigegerät.

Es ist daher möglich, das Verhalten des Istwerts auch bei deaktivierter Last zu überprüfen. Sobald die Regelaktion wieder aktiviert wird, verhält sich das Gerät wie folgt:

- Die Integralkomponente des Ausgangs wird auf Null gestellt.
- Die Soft Start-Funktion und die Unterdrückung der Alarme werden wieder aktiviert.

LAMP TEST

Diese Funktion ermöglicht die Kontrolle der einwandfreien Funktionstüchtigkeit des Displays.

WARTUNG

- 1) DIE SPANNUNGSZUFUHR ZUM GERÄT UNTERBRECHEN (Versorgung, Relaisausgänge, usw.).
- 2) Das Gerät aus dem Gehäuse ziehen.
- 3) Mit Hilfe eines Absaugers oder eines Druckluftstrahls mit niedrigem Druck (max. 3 kg/cm²) eventuelle Staub- und Schmutzablagerungen von den Belüftungsschlitzen und von den Schaltkreisen entfernen. Dabei vorsichtig verfahren, um eine Beschädigung der Komponenten zu vermeiden.
- 4) Zur Reinigung der äußeren Plastik- oder Gummiteile ausschließlich einen sauberen Lappen verwenden, befeuchtet mit:
 - Äthylalkohol (rein oder denaturiert) [C₂H₅OH]
 - Isopropylalkohol (rein oder denaturiert) [(CH₃)₂CHOH]
 - Wasser (H₂O)
- 5) Den festen Sitz der Klemmen überprüfen.
- 6) Das Gerät muß vollkommen trocken sein, bevor es wieder in das Gehäuse geschoben wird.
- 7) Das Gerät mit Spannung versorgen.

MONTAGGIO

Per il montaggio, scegliere un luogo che abbia le seguenti caratteristiche:

- 1) sia facilmente accessibile anche sul retro
- 2) sia esente da vibrazioni o urti
- 3) non siano presenti gas corrosivi (gas solfurei, amoniaca, ecc...)
- 4) non ci sia presenza di acqua o altri liquidi
- 5) la temperatura ambiente sia compresa tra 0 e 50 °C
- 6) l'umidità relativa dell'aria sia compresa tra 20 e 85 % RH e che non ci sia condensa.

Lo strumento può essere montato su un pannello di spessore fino a 15 mm dopo aver eseguito un foro rettangolare da 45 x 92 mm.

Per le dimensioni di ingombro e foratura vedere Fig. 2.

La rugosità superficiale del pannello deve essere migliore di 6,3 µmm.

Lo strumento è fornito di guarnizione in gomma da pannello (da 50 a 60 Sh).

Per garantire la protezione IP65 e NEMA 4, inserire la guarnizione, fornita con l'apparecchio, tra lo strumento ed il pannello (vedere figura 1).

Per fissare lo strumento al pannello, procedere come segue:

- 1) infilare la guarnizione sulla custodia dello strumento.
- 2) inserire lo strumento nella foratura
- 3) mantenendo lo strumento ben appoggiato al pannello, inserire la bretella di fissaggio.
- 4) utilizzando un cacciavite, serrare le viti con una coppia compresa tra 0.3 e 0.4 Nm.

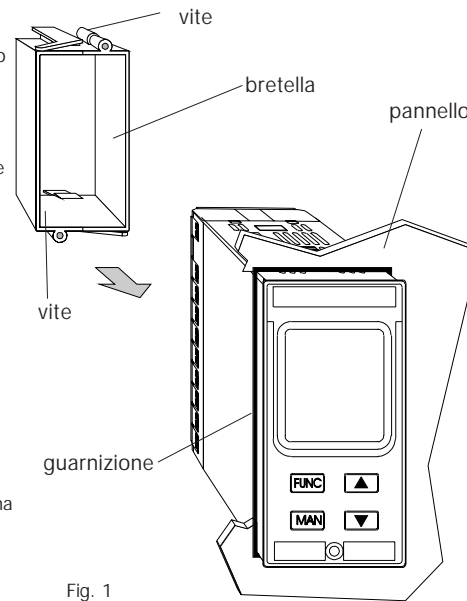


Fig. 1

1

DIMENSIONI E FORATURA

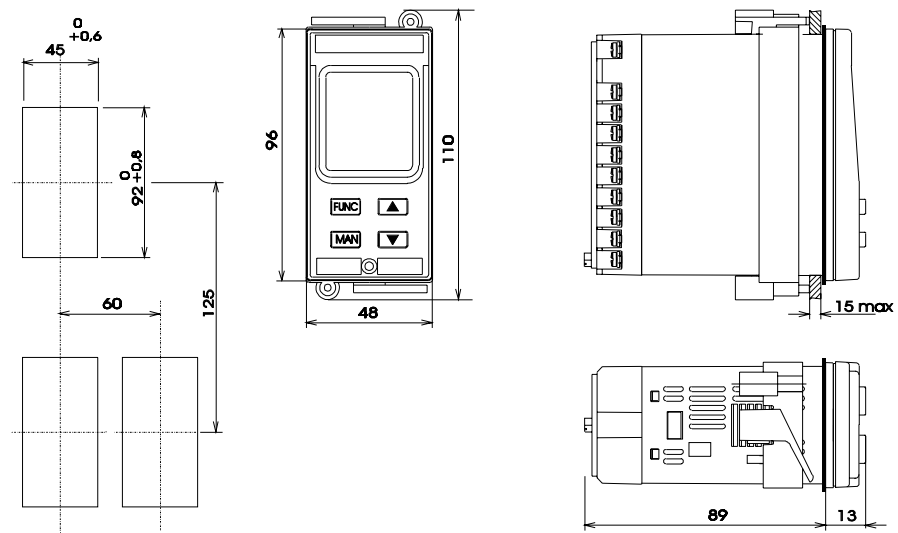


Fig. 2

COLLEGAMENTI ELETTRICI

I collegamenti devono essere effettuati dopo che la custodia dello strumento è stata regolarmente montata sul pannello.

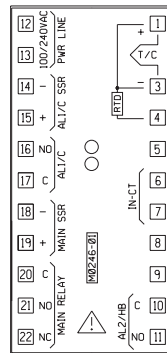


Fig. 3.A MORSETTIERA POSTERIORE (per i modelli 100/240 V ca)

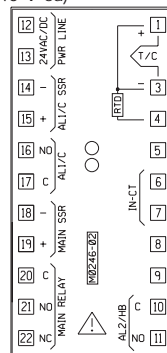


Fig. 3.B MORSETTIERA POSTERIORE (per i modelli 24 V cc/ca)

A) INGRESSI DI MISURA

NOTA: Componenti esterni (es. barriere zener) collegati tra il sensore ed i terminali di ingresso dello strumento possono causare errori di misura dovuti ad una impedenza troppo elevata o non bilanciata oppure alla presenza di correnti di perdita.

INGRESSO PER TERMOCOPPIA

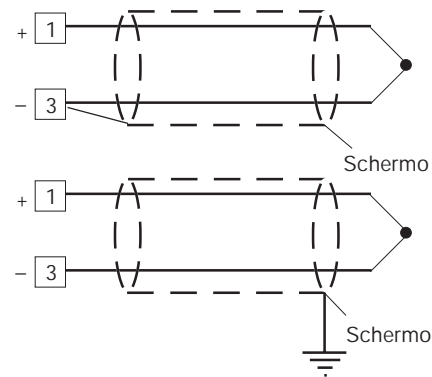


Fig. 4 COLLEGAMENTO DI TERMOCOPPIE

NOTE:

- 1) Non posare i cavi dei segnali parallelamente o vicino a cavi di potenza o a sorgenti di disturbi.
- 2) Per il collegamento della TC usare cavo di compensazione/estensione appropriato, preferibilmente schermato.
- 3) Quando si usa cavo schermato, lo schermo deve essere collegato a terra ad una sola estremità.

INGRESSO PER TERMORESISTENZA

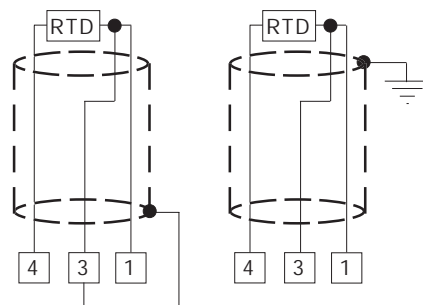


Fig. 5 COLLEGAMENTO DI TERMORESISTENZE

NOTE:

- 1) Non posare i cavi dei segnali parallelamente o vicino a cavi di potenza o a sorgenti di disturbi.
- 2) Fare attenzione alla resistenza di linea, una resistenza di linea eccessivamente alta (superiore a 20 Ω /filo) può causare errori di misura.
- 3) Quando si usa cavo schermato, lo schermo deve essere collegato a terra ad una sola estremità.
- 4) I 3 fili devono avere la stessa impedenza.

B) INGRESSO DA TRASFORMATORE AMPEROMETRICO

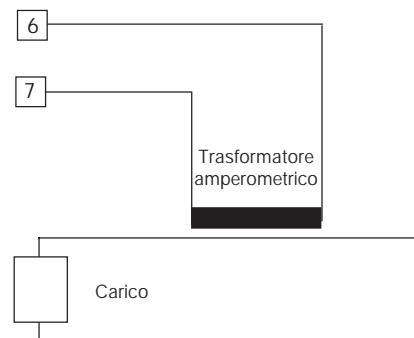


Fig. 6 COLLEGAMENTO DEL TRASFORMATORE AMPEROMETRICO

Nota:

- 1) L'impedenza di ingresso è pari a 10 Ω .
- 2) La massima corrente di ingresso è pari a 50 mA (50 / 60 Hz).

C) USCITE A RELE

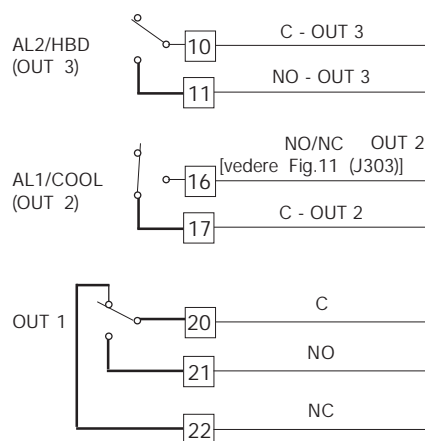


Fig. 7 COLLEGAMENTO DELLE USCITE A RELE

L'uscita 2 ed il contatto NO dell'uscita 1 sono protetti, tramite varistori, verso carichi che abbiano componente induttiva fino a 0,5 A.

La portata del contatto relativo all'uscita 1 è pari a 3A/250V c.a. su carico resistivo.

La portata dei contatti relativi alle uscite 2 e 3 sono pari a 2 A/250V c.a. su carico resistivo.

Il numero delle operazioni è pari a 1×10^5 alla portata specificata.

NOTE:

- 1) Per evitare il rischio di scosse elettriche collegare la linea di potenza solo dopo aver effettuato tutti gli altri collegamenti.
- 2) Per i collegamenti di potenza, utilizzare cavi No 16 AWG o maggiori adatti per una temperatura di almeno 75 °C.
- 3) Utilizzare solo conduttori di rame.
- 4) Non posare i cavi della potenza parallelamente o vicino a cavi dei segnali.
- 5) L'uscita a relè e quella SSR sono entrambe disponibili. Quando si utilizza l'uscita a relè, è necessario disattivare l'uscita SSR (vedere capitolo "Impostazioni hardware preliminari").

Le raccomandazioni che seguono possono evitare seri problemi causati dal utilizzo dell'uscita 3 o del contatto NC dell'uscita 1 per pilotare carichi induttivi.

CARICHI INDUTTIVI

Nella commutazione di carichi induttivi si possono generare transitori e disturbi che possono pregiudicare le prestazioni dello strumento.

Problemi analoghi possono essere generati dalla commutazione di carichi tramite un contatto esterno in serie al contatto di uscita dello strumento.

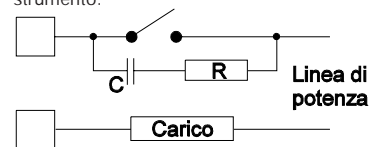


Fig. 8 CONTATTO ESTERNO IN SERIE AL CONTATTO DI USCITA DELLO STRUMENTO

In questi casi si raccomanda di collegare un filtro RC in parallelo al contatto esterno (oppure al contatto interno non protetto) come indicato in fig. 8.

Il valore della capacità (C) e del resistore (R) sono indicati nella tabella seguente.

CARICO (mA)	C (μF)	R (Ω)	P. (W)	TENSIONE DI LAVORO
<40 mA	0.047	100	1/2	260 V AC
<150 mA	0.1	22	2	260 V AC
<0.5 A	0.33	47	2	260 V AC

In tutti i casi i cavi collegati con le uscite a relè devono rimanere il più lontano possibile dai cavi dei segnali.

D) USCITA LOGICA PER IL COMANDO DI SSR

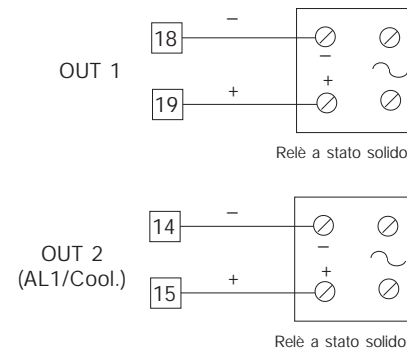


Fig. 9 COLLEGAMENTO PER IL PILOTAGGIO DI RELE A STATO SOLIDO.

Questa è una uscita a tempo proporzionale.

Livello logico 0: $V_{out} < 0.5 \text{ V c.c.}$

Livello logico 1: Corrente massima = 20 mA.

- 14 V + 20 % @ 20 mA

- 24 V + 20 % @ 1 mA.

NOTE:

1) Queste uscite NON sono isolate.

Un isolamento doppio o rinforzato tra lo strumento e la linea di potenza deve essere assicurato dal relè a stato solido esterno.

2) l'uscita a relè e quella SSR sono entrambe disponibili. Quando si utilizza l'uscita SSR, è necessario disattivare l'uscita relè (vedere capitolo "Impostazioni hardware preliminari").

E) ALIMENTAZIONE

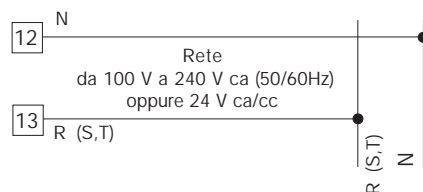


Fig. 10 COLLEGAMENTO ALL'ALIMENTAZIONE

NOTE:

- 1) Prima di collegare lo strumento alla rete, assicurarsi che la tensione di linea sia corrispondente a quanto indicato nella targa di identificazione dello strumento.
- 2) Per evitare il rischio di scosse elettriche collegare l'alimentazione solo dopo aver effettuato tutti gli altri collegamenti.
- 3) Per il collegamento alla rete, utilizzare cavi No 16 AWG o maggiori adatti per una temperatura di almeno 75 °C.
- 4) Utilizzare solo conduttori di rame.
- 5) Non posare i cavi dei segnali parallelamente o vicino a cavi di potenza o a sorgenti di disturbi.
- 6) Per l'alimentazione 24 V c.c. la polarità non ha importanza.
- 7) I circuiti di alimentazione NON sono protetti da fusibile, pertanto si consiglia di prevederne uno esterno tipo T, 1 A, 250 V.
Se il fusibile dovesse risultare danneggiato, è consigliabile far verificare l'intero circuito di alimentazione. Per questa ragione si consiglia di spedire l'apparecchio al fornitore.

- 8) Le normative sulla sicurezza relative ad apparecchiature collegate permanentemente all'alimentazione richiedono:
 - un interruttore o disgiuntore va compreso nell'impianto elettrico dell'edificio;
 - esso deve trovarsi in stretta vicinanza dell'apparecchio ed essere facilmente raggiungibile da parte dell'operatore;
 - Deve essere marcato come il dispositivo di interruzione dell'apparecchio.

NOTA: un singolo interruttore o disgiuntore può comandare più apparecchi.

- 9) Se l'alimentazione prevede il neutro, collegarlo al terminale 12.

IMPOSTAZIONI HARDWARE PRELIMINARI

- 1) Sfilare lo strumento dalla custodia.
- 2) Per le uscite 1 e 2, selezionare il tipo di uscita desiderata impostando i ponticelli J 304 e J305
 J304 (AL1, Cool.) 1-2 = SSR 2-3 = Relè
 J305 (Uscita principale) 1-2 = SSR 2-3 = Relè
- 3) per l'uscita 2 è possibile selezionare il contatto utilizzato (NO o NC) tramite il ponticello J303
 J303 (AL1, Cool.) 1-2 = Out NO 2-3 = Out NC

Nota : J303 è un ponticello a saldare e viene eseguito sul lato saldatura.

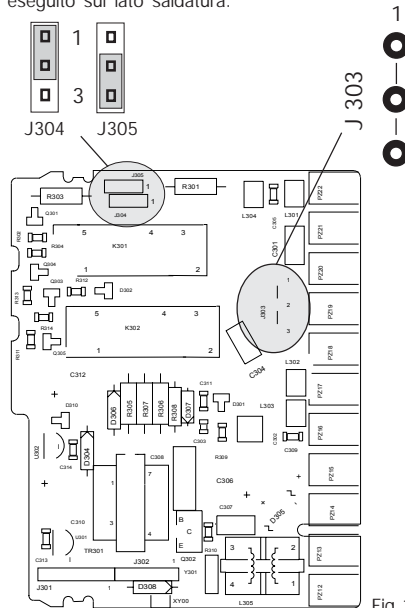


Fig. 11



8

APERTURA DEI COLLEGAMENTI IN INGRESSO

Questo strumento è in grado di rilevare l'apertura del circuito di ingresso per ingressi da TC o RTD. L'apertura dell'ingresso RTD viene indicato come una condizione di overrange.

Per l'ingresso da termocoppia è possibile selezionare l'indicazione di overrange (standard) chiudendo CH2 ed aprendo SH2 oppure l'indicazione di underrange aprendo CH2 e chiudendo SH2.

Entrambe le piazzole sono situate sul lato saldatura della scheda CPU (Vedere disegno).

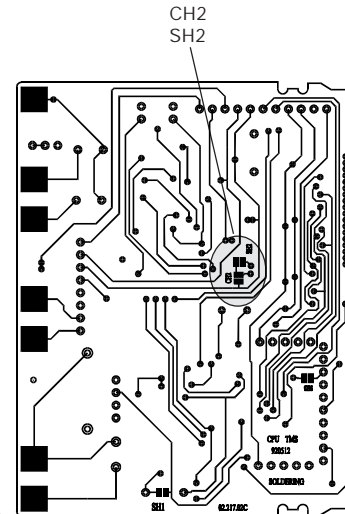


Fig. 12

NOTE GENERALI di configurazione.

FUNC = Consente di memorizzare il nuovo valore del parametro selezionato e passare al parametro successivo (ordine crescente).

SMRT = Consente di visualizzare i parametri in ordine decrescente senza memorizzare i nuovi valori.

▲ = Consente di aumentare il valore del parametro selezionato.

▼ = Consente di diminuire il valore del parametro selezionato.

PROCEDURE DI CONFIGURAZIONE

1) Sfilare lo strumento dalla custodia.

2) Posizionare lo switch V2 (vedere la figura seguente) in posizione aperta.

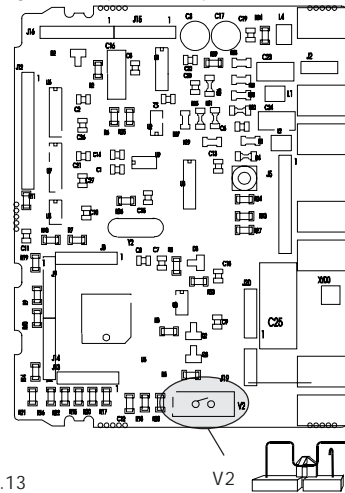


Fig. 13

3) Reinserire lo strumento.

4) Alimentare lo strumento; il display superiore indicherà "CnF".

ATTENZIONE: Se lo strumento dovesse visualizzare l'indicazione "CAL" premere immediatamente il tasto ▲ per tornare alla fase di configurazione.

5) Premere il tasto FUNC. Il display inferiore visualizzerà il codice del parametro selezionato mentre il display superiore ne visualizzerà l'impostazione.

P1 - Tipo di ingresso e scala standard

0	= TC tipo	L	scala	0 / +800 °C
1	= TC tipo	J	scala	0 / +800 °C
2	= TC tipo	K	scala	0 / +999 °C
3	= TC tipo	N	scala	0 / +999 °C
4	= RTD tipo	Pt 100	scala	-199 / +500 °C
5	= RTD tipo	Pt 100	scala	-19.9 / +99.9 °C
6	= TC tipo	T	scala	0 / +400 °C
8	= TC tipo	L	scala	0 / +999 °F
9	= TC tipo	J	scala	0 / +999 °F
10	= TC tipo	K	scala	0 / +999 °F
11	= TC tipo	N	scala	0 / +999 °F
12	= RTD tipo	Pt 100	scala	-199 / +999 °F
13	= TC tipo	T	scala	0 / +752 °F

P2 = Inizio scala

Non disponibile se P1 = 5

Valore di inizio scala utilizzato dall'algorithm PID per i calcoli dell'ampiezza del campo di lavoro.

P2 è programmabile all'interno del campo di ingresso selezionato tramite P1.

Quando il parametro P2 viene modificato, lo strumento assegna automaticamente al parametro rL il nuovo valore di P2.

P3 = Fondo scala

Non disponibile se P1 = 5
Valore di fondo scala utilizzato dall'algoritmo PID per i calcoli dell'ampiezza del campo di lavoro.
P3 è programmabile all'interno del campo di ingresso selezionato tramite P1.
Quando il parametro P3 viene modificato, lo strumento assegna automaticamente al parametro rH il nuovo valore di P3.

NOTA: l'ampiezza del campo di lavoro (P3 - P2) deve essere superiore o uguale a:
- 300 °C o 600 °F per ingresso da TC;
- 100 °C o 200 °F per ingresso da RTD.

P4 = Configurazione uscite

H = Riscaldamento
HC = Riscald./Raffredd.

P5 = Tipo uscita principale

rEL = Uscita a relè.
SSr = Uscita per SSR.

NOTA:

Impostando P5 = rEL, Il parametro C verrà forzato ad assumere il valore 20 secondi.

Impostando P5=SSr, Il parametro C verrà forzato ad assumere il valore 2 secondi.

P6 = Tipo uscita raffreddamento

Disponibile solo se P4 = HC
Air = aria
OIL = olio
H2O = acqua

NOTA:

Impostando P6 = Air, Il parametro C2 verrà forzato ad assumere il valore 10 secondi mentre il

parametro rC assumerà il valore 1.00.

Impostando P6=Oil, Il parametro C2 verrà forzato ad assumere il valore 4 secondi mentre il parametro rC assumerà il valore 0.8.

Impostando P6=H2O, Il parametro C2 verrà forzato ad assumere il valore 2 secondi mentre il parametro rC assumerà il valore 0.4.

P7 = Allarme 1

Disponibile solo se P4 = H.
0 = Non previsto
1 = Allarme di processo
2 = Allarme di banda
3 = Allarme di deviazione

P8 = Modo operativo allarme 1

Disponibile solo se P7 è diverso da 0 e P4 = H.
H.A. = Allarme di massima (fuori banda) con riarmo automatico.
L.A. = Allarme di minima (dentro la banda) con riarmo automatico.
H.L. = Allarme di massima (fuori banda) con riarmo manuale.
L.L. = Allarme di minima (dentro la banda) con riarmo manuale.

P9 = Mascheratura allarme 1

Disponibile solo se P7 è diverso da 0 e P4 = H.
OFF = mascheratura disabilitata
ON = mascheratura abilitata

NOTA: la mascheratura inibisce l'azione degli allarmi all'accensione o, per i soli allarmi di banda e di deviazione, dopo le modifiche del set point.
Gli allarmi verranno riattivati automaticamente quando l'iniziale condizione di allarme è scomparsa.

P10 = Allarme 2

- 0 = Non previsto
- 1 = Allarme di processo
- 2 = Allarme di banda
- 3 = Allarme di deviazione

L'uscita dell'allarme 2 è in OR con l'uscita della funzione HBD (vedere parametro P16).

P11 = Modo operativo allarme 2 e riarmo dell'allarme HBD

Disponibile solo se P10 è diverso da 0 o P16 è diverso da OFF.

H.A. = Allarme di massima (fuori banda) con riarmo automatico.

L.A. = Allarme di minima (dentro la banda) con riarmo automatico.

H.L. = Allarme di massima (fuori banda) con riarmo manuale.

L.L. = Allarme di minima (dentro la banda) con riarmo manuale.

NOTA: l'allarme HBD è sempre un allarme di minima ma assume il tipo di riarmo selezionato per l'allarme 2.

P12 = Mascheratura allarme 2

Disponibile solo se P10 è diverso da 0.

OFF = mascheratura disabilitata

ON = mascheratura abilitata

Per ulteriori dettagli vedere parametro P9.

P13 = Tipo di OFFSET sulla misura

P13 = 0 OFFSET (P14) costante su tutto il campo.

P13 diverso da 0 P13 indica il punto di applicazione del valore di offset impostato con il parametro P14.

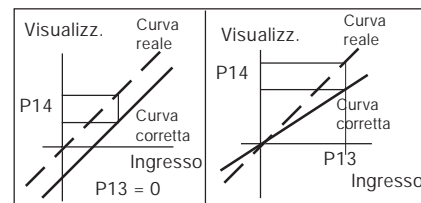
NOTA: i parametri P13 e P14 NON modificano i limiti di misura o di visualizzazione dello strumento pertanto il superamento di uno di questi limiti produce una segnalazione di fuori campo.

P14 = Valore di OFFSET

Se P13 = 0, P 14 è programmabile, in unità ingegneristiche, tra -20 % e +20 % del campo di ingresso (P1).

Se P13 è diverso da 0, P 14 è programmabile in unità ingegneristiche tra -20 % e +20 % del valore di P13.

NOTA: il parametro P14 non può assumere un valore inferiore a -199 unità.



P15 = Soglia della funzione "Soft Start" (partenza morbida).

Valore di soglia, in unità ingegneristiche, utilizzata dallo strumento per l'inserimento automatico della funzione "Soft start" (limitazione temporizzata della potenza di uscita).

All'accensione dello strumento, se il valore misurato è inferiore alla soglia programmata, lo strumento inserirà automaticamente la limitazione della potenza di uscita e la manterrà per un tempo programmato (vedere il parametro "tOL" al paragrafo "PARAMETRI OPERATIVI").

All'accensione, se il parametro "tOL" è uguale ad infinito (limitazione sempre inserita), lo strumento ignora questo parametro.

P16 = Misura della corrente consumata dal carico comandato tramite l'uscita principale (HBD)

OFF = Misura non abilitata

n.O. = Misura abilitata su periodo ON (stato 1 per SSR o carico pilotato da contatto NO)

n.C. = Misura abilitata su periodo OFF (stato 0 per SSR o carico pilotato da contatto NC)

P17 = Fondo scala trasformatore amperometrico

Disponibile solo quando P16 è diverso da OFF.

10 = 10 A fondo scala (risoluzione 0.1 A)

25 = 25 A fondo scala (risoluzione 1 A)

50 = 50 A fondo scala (risoluzione 1 A)

100 = 100 A fondo scala (risoluzione 1 A)

P18 = chiave di accesso ai parametri di controllo

0 = parametri sempre accessibili

1 = SP può essere modificato mentre tutti gli altri parametri sono sempre protetti

da 2 a 499 = SP può essere sempre modificato mentre questo codice numerico consente l'accesso o l'inibizione della modifica dei rimanenti parametri operativi.

da 500 a 999 = SP, A1 e A2 sono sempre modificabili mentre questo codice numerico consente l'accesso o l'inibizione della modifica dei rimanenti parametri operativi.

NOTA: dopo la pressione del tasto FUNC, NON sarà più possibile visualizzare il valore di questo parametro. Se non si conosce il vecchio codice di sicurezza impostarne uno nuovo.

La procedura di configurazione standard è completata e lo strumento visualizzerà " - . - . - . " su entrambi i display.

Se non si desidera eseguire altre impostazioni, premere FUNC, lo strumento tornerà all'inizio della procedura di configurazione.

Se si desidera eseguire una configurazione completa, premere i tasti ▲ o ▼ ed impostare il valore 217 sul display superiore.

Premere il tasto FUNC; lo strumento inizierà la procedura di configurazione ausiliaria visualizzando i seguenti parametri addizionali.

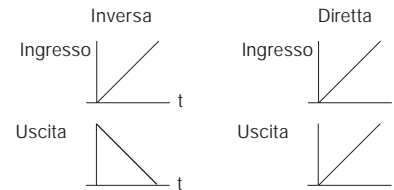
P19 - Azione dell'uscita principale

Disponibile solo quando P4 = H.

r = Inversa (riscaldamento)

d = Diretta (raffreddamento)

Nota : quando P4 = HC, questa parametro viene forzato a "r".



P21 - Azione del relè relativo all'allarme 1

Questo parametro viene visualizzato solo quando P7 è diverso da 0 e P4 è uguale a H.

r = inversa (relè de-energizzato in condizione di allarme).

d = Diretta (relè energizzato in condizione di allarme)

P22 - Azione del relè relativo all'allarme 2

Questo parametro NON viene visualizzato solo quando P10 è uguale a 0 e P16 è uguale a "OFF".

r = inversa (relè de-energizzato in condizione di allarme).

d = Diretta (relè energizzato in condizione di allarme)

P23 - Modifica automatica del "guadagno relativo di raffreddamento".

Disponibile solo quando P4=HC.

OFF = La funzione SMART **NON** modificherà il valore del parametro "guadagno relativo di raffreddamento".

ON = La funzione SMART modificherà il valore del parametro "guadagno relativo di raffreddamento".

P24 - Massima velocità di variazione del segnale di uscita.

Questo parametro consente di impostare la massima velocità di variazione del segnale di uscita.

P24 è programmabile tra 1 e 10 % del campo di uscita al secondo.

Oltre il 10 %, il display superiore si spegne e lo strumento non limiterà la velocità di variazione.

P25 - Visualizzazione dei parametri protetti

Questo parametro viene visualizzato solo se P18 è diverso da 0.

OFF = Lo strumento NON visualizzerà i parametri protetti.

ON = tutti i parametri potranno essere visualizzati.

P26 - SMART abilitato/ disabilitato

0 = La funzione SMART è sempre disabilitata.

1 = L'abilitazione e la disabilitazione della funzione SMART **NON** è protetta dalla chiave di sicurezza.

2 = L'abilitazione e la disabilitazione della funzione SMART è protetta dalla chiave di sicurezza.

P27 - Massimo valore di banda proporzionale impostabile dalla funzione SMART.

Questo parametro viene visualizzato solo se P26 è diverso da 0.

Questo parametro può essere programmato tra il valore di P28 o P29 e 99.9.

P28 - Minimo valore di banda proporzionale impostabile dalla funzione SMART.

Questo parametro viene visualizzato solo se P26 è diverso da 0 e P4=H.

Questo parametro può essere programmato tra 1.0% ed il valore di P27.

P29 - Minimo valore di banda proporzionale impostabile dalla funzione SMART per la sola regolazione riscaldamento/raffreddamento.

Questo parametro viene visualizzato solo se P26 è diverso da 0 e P4=HC.

Questo parametro può essere programmato tra 1.5% ed il valore di P27.

P30 - Minimo valore di tempo integrale impostabile dalla funzione SMART.

Questo parametro viene visualizzato solo se P26 è diverso da 0.

Questo parametro può essere programmato tra 00.1 (mm.s) e 02.0 (mm.s).

P31 = Estensione dell'anti-reset-wind up

Campo: da -30 a +30 % della banda proporzionale.

NOTA: un valore positivo aumenta il limite massimo della funzione (sopra il set point) mentre un valore negativo abbassa il limite minimo della funzione (sotto il set point).

La configurazione ausiliaria è completa e lo strumento visualizzerà "CnF" sul display superiore.

MODO OPERATIVO

- 1) Sfilare lo strumento dalla custodia.
- 2) Impostare il ponticello V2 (vedere fig. 13) in posizione chiusa.
- 3) Re-inserire lo strumento.
- 4) Alimentare lo strumento.

Il display superiore visualizza il valore misurato mentre quello inferiore mostra il valore di set point impostato (questo stato viene definito "modo normale di visualizzazione").

Nota: Quando al set point operativo è applicata una rampa (parametro rP), il valore del set point visualizzato potrebbe essere diverso da quello operativo.

Premendo il tasto ▲, se la funzione HBD è configurata, l'uscita di controllo è abilitata e lo strumento è in modo normale di visualizzazione, è possibile visualizzare sul display inferiore il valore della corrente consumata dal carico pilotato tramite l'uscita 1 seguito dal simbolo A.

NOTA: questa visualizzazione NON è soggetta a time out. Per tornare al modo normale di visualizzazione premere nuovamente il tasto ▲.

ALGORITMO SMART

L'algoritmo SMART è un nuovo algoritmo di auto-sintonizzazione automatica. Lo SMART viene utilizzato dallo strumento per calcolare ed impostare automaticamente i parametri di regolazione.

L'algoritmo SMART può essere sempre inserito onde ottenere una continua ottimizzazione dei parametri in funzione degli eventuali cambiamenti delle condizioni di impianto.

Per abilitare questa funzione, premere il tasto SMRT per un tempo superiore a 1,5 s quando lo strumento è in modo "Visualizzazione normale".

L'indicatore SMRT inizierà a lampeggiare o si accenderà a luce fissa in funzione del tipo di sintonizzazione in esecuzione.

Quando si desidera disattivare la funzione SMART, premere semplicemente il tasto SMRT; l'indicatore SMRT si spegnerà.

NOTE:

- 1) Quando la funzione SMART è attiva, il guadagno relativo di raffreddamento (se presente) sarà limitato all'interno dei seguenti valori:

Elemento raffreddante	Campo
Aria	da 0.85 a 1.00
Olio	da 0.80 a 0.90
Acqua	da 0.30 a 0.60
- 2) La funzione SMART utilizza un'azione derivativa pari ad 1/4 dell'azione integrale.
- 3) I limiti della banda proporzionale e del tempo integrale impostabili dalla funzione SMART sono programmabili tramite i parametri P27, P28, P29 e P30 (vedere sezione 3).
- 4) L'attivazione/disattivazione della funzione SMART può essere protetta dalla chiave di sicurezza (vedere parametro P18).
- 5) Quando la funzione SMART è attiva i parametri Pb, ti e td non sono modificabili da tastiera. Per il parametro rC vedere P23.

INIBIZIONE DEL SEGNALE DI USCITA

Il TMS consente di inibire manualmente il segnale di uscita onde poter interrompere la regolazione (lo strumento funzionerà come semplice indicatore).

Per inibire il segnale di uscita procedere come segue:

- 1) Premere e mantenere premuto il tasto ▲ .
- 2) Premere il tasto FUNC.
- 3) Mantenere la pressione su entrambi i tasti per un periodo superiore a 3 secondi.

Il display inferiore visualizzerà il messaggio "OFF" e l'uscita di regolazione risulterà inibita.

Quando si desidera riattivare la regolazione automatica, ripetere le azioni sopra viste; lo strumento ritornerà automaticamente in modo "Visualizzazione Normale".

NOTA: 1) Lo strumento memorizza lo stato di inibizione dell'uscita.

2) Se il segnale di uscita viene inibito quando la funzione SMART sta eseguendo la prima parte dell'algoritmo di autosintonizzazione (LED SMRT lampeggiante), lo strumento abortirà l'esecuzione dell'algoritmo e, quando si tornerà al normale controllo, la funzione SMART risulterà disabilitata.

Se il segnale di uscita viene inibito quando la funzione SMART sta eseguendo la parte di sintonizzazione continua dell'algoritmo di autosintonizzazione (LED SMRT acceso fisso), lo strumento fermerà temporaneamente l'esecuzione dell'algoritmo e, quando si tornerà al normale controllo, la funzione SMART risulterà attiva.

ALLARME DI MALFUNZIONAMENTO DEL CARICO COMANDATO TRAMITE L'USCITA PRINCIPALE (allarme HBD).

Questo allarme consente di tenere sotto controllo continuamente l'assorbimento del carico pilotato tramite l'uscita principale e di generare un allarme qualora il consumo risultasse inferiore al valore di soglia programmato.

Per visualizzare il consumo di questo carico premere il tasto ▲ quando lo strumento è in "Visualizzazione normale".

Il display superiore continuerà a visualizzare la variabile di processo mentre il display inferiore visualizzerà la corrente consumata (in Ampere) seguito dall'unità ingegneristica (A)

Per tornare alla "Visualizzazione normale" premere nuovamente il tasto ▲.

Qualora lo strumento rilevasse una condizione di allarme, il LED AL2/HB inizierà a lampeggiare ed il relè relativo all'uscita 3 verrà attivato.

ACCESSO DIRETTO ALLA MODIFICA DEL SET POINT.

Lo strumento consente di modificare il valore di set point senza utilizzare il tasto FUNC.

Quando si desidera modificare rapidamente il valore di set point impostato, procedere come segue.:

- 1) premere per più di 3 secondi il tasto ▲ o quello ▼; il valore di set point visualizzato dal display inferiore inizierà a cambiare.
- 2) Utilizzando i tasti ▲ e ▼ impostare il valore di set point desiderato.
- 3) Raggiunto il valore desiderato, NON premere alcun tasto per almeno 3 secondi; il nuovo valore diventerà operativo dopo 3 secondi dall'ultima pressione dei tasti.

Se, durante questa procedura, si desidera abbandonare la modifica del set point, premere il tasto FUNC; lo strumento ritornerà automaticamente alla "Visualizzazione normale" senza memorizzare il nuovo valore.

LAMP TEST

Quando si desidera verificare il corretto funzionamento del visualizzatore, premere i tasti ▼ e FUNC. Lo strumento accenderà tutti i LED del visualizzatore con un duty cycle pari al 50 % (questo stato verrà chiamato LAMP TEST).

Il LAMP TEST non è sottoposto a time out.

Quando si desidera tornare al modo normale di visualizzazione, premere nuovamente i tasti ▼ e FUNC.

Durante il LAMP TEST lo strumento mantiene la sua normale operatività ma la tastiera consente solo la disattivazione del test.

PARAMETRI OPERATIVI

Modifica dei parametri operativi

Premere il tasto FUNC, il display inferiore visualizzerà il codice mentre quello superiore visualizzerà il valore del parametro selezionato. Tramite i tasti ▲ e ▼ è possibile impostare il valore o lo stato desiderato. Premendo il tasto FUNC lo strumento memorizzerà il nuovo valore (o il nuovo stato) e passerà alla visualizzazione del parametro successivo. Una breve pressione del tasto SMRT consente di tornare al parametro precedente senza memorizzare il nuovo valore del parametro attuale. Alcuni dei parametri seguenti potrebbero non venire visualizzati in funzione della configurazione dello strumento.

- NOTA:**
- 1) Se, durante la modifica dei parametri o la loro visualizzazione, non viene premuto alcun tasto per un periodo superiore a 10 secondi, lo strumento tornerà alla "Visualizzazione Normale" senza memorizzare il nuovo valore dell'ultimo parametro.
 - 2) Lo strumento non visualizza tutti i parametri ma seleziona solo quelli significativi in funzione di:
 - a) la configurazione dello strumento
 - b) l'impostazione del parametro P25
 - c) l'impostazione della banda proporzionale.

Param. Descrizione

- SP **Set point principale** (in unità ing.)
Campo: da rL a rH.
- n.rS **Riarmo manuale degli allarmi**
Questo parametro viene visualizzato se almeno un allarme è programmato con il riarmo manuale.
Impostare ON e premere FUNC per riarmare gli allarmi.
- nnn **Chiave di protezione dei parametri.**
Non viene visualizzato se P18 = 0 o 1.
Lo strumento visualizza inizialmente lo stato del dispositivo:
ON= La protezione dei parametri è attiva.
OFF= La protezione dei parametri è inattiva.
Quando si desidera disattivare la protezione dei parametri, impostare un valore uguale al valore assegnato al parametro P18.
Quando si desidera riattivare la protezione dei parametri, impostare un valore differente dal valore assegnato al parametro P18.
- A1 **Soglia Allarme 1**
Questo parametro viene visualizzato solo se il relativo allarme è stato configurato.
Campi:
- all'interno del campo di ingresso per allarme di processo.
- da 0 a 500 unità per allarme di banda.
- da -199 a 500 unità per allarme di deviazione.
- A2 **Soglia allarme 2**
Per altri dettagli vedere il parametro A1.
- H1 **Isteresi allarme 1**
Questo parametro viene visualizzato solo se il relativo allarme è stato configurato.
Campo: da 0.1% a 10.0% del campo di ingresso oppure 1 LSD

Nota: Se l'isteresi di un allarme di banda risultasse più ampia della banda dell'allarme stesso, lo strumento utilizzerà un valore di isteresi pari al valore di banda programmato meno un digit.

H2 **Isteresi allarme 2**
Per altri dettagli vedere il parametro H1.

Pb **Banda proporzionale**
Campo: da 1.0% a 99.9 % dell'ampiezza del campo di ingresso con una uscita regolante.
Da 1.5% a 99.9 % dell'ampiezza del campo di ingresso con due uscite regolanti
Quando Pb = 0 l'azione regolante diventa di tipo ON/OFF; i parametri ti, td, IP, C, C2, rC, OLP, OLH e tOL non verranno visualizzati mentre la funzione SMART risulterà non abilitabile.
Nota: quando si utilizza la funzione SMART, il campo di variabilità del parametro Pb è limitato dai valori assegnati ai parametri P27, P28 e P29.

HS **Isteresi per regolazione ON/OFF**
HS è disponibile solo se Pb = 0.
Campo: da 0.1% a 10.0% dell'ampiezza del campo di ingresso.

ti **Tempo integrale**
"ti" non viene visualizzato quando Pb=0 (azione ON/OFF).
Campo : da 00.1 a 20.0 mm.ss
Oltre questo valore il display si oscura e l'azione integrale risulta esclusa.
Nota: quando si utilizza la funzione SMART, il minimo valore del tempo integrale è definito tramite il parametro P30.

td **Tempo derivativa**
"td" non viene visualizzato quando Pb=0 (azione ON/OFF).

Campo: da 0.01 a 9.59 m.ss. Impostando il valore 0 l'azione derivativa risulterà esclusa.

Nota: quando si utilizza la funzione SMART il valore di td risulterà pari ad un quarto del valore assegnato a ti.

IP **Precarica dell'azione integrale**
"IP" non viene visualizzato quando Pb=0 (azione ON/OFF). Campi :
- da 0 a 100 % se P4 = H
- da -100 a 100 % se P4 = HC

C **Tempo di ciclo uscita 1**
C è disponibile solo se Pb è diverso da 0.
Campo: da 1 a 200 s.

C2 **Tempo di ciclo uscita 2**
C2 è disponibile solo se P4 = "HC" e Pb è diverso da 0.
Campo: da 1 a 200 s.

rC **Guadagno relativo di raffreddamento.**
"rC" non viene visualizzato se Pb=0 (azione ON/OFF) oppure quando P4 = H.
Campo: da 0.20 a 1.00.
Nota: Quando la funzione SMART è attiva, il parametro "rC" verrà limitato in funzione del tipo di elemento raffreddante selezionato:
- da 0.85 a 1.00 quando P6 = Air
- da 0.80 a 0.90 quando P6 = Oil
- da 0.30 a 0.60 quando P6 = H2O

OLP **Sovrapposizione/banda morta tra riscaldamento e raffreddamento**
"OLP" non viene visualizzato se Pb=0 (azione ON/OFF) oppure quando P4 = H.
Un valore negativo indica una banda morta mentre un valore positivo indica una sovrapposizione.
Campo: da -20 a 50.

rL **Limite inferiore del set point**
Campo: dal valore di inizio scala (P2) a rH.

- Nota:** se P2 viene modificato, anche rL viene riallineato automaticamente.
- rH **Limite superiore del set point**
 Campo: da rL al valore di fondo scala (P3).
Nota: se P3 viene modificato, anche rH viene riallineato automaticamente.
- rP **Rampa applicata alle modifiche di set point**
 Campo: da 1 a 100 digit/minuto. Oltre questo valore il display indica "Inf" ed il passaggio avverrà a gradino.
- OLH **Limite massimo dell'uscita regolante**
 "OLH" non viene visualizzato quando Pb=0 (azione ON/OFF).
 Campo:
 - da 0 a 100 % se P4 = H
 - da -100 a 100 % se P4 = HC
- tOL **Durata della limitazione della potenza di uscita**
 "tOL" non viene visualizzato quando Pb=0 (azione ON/OFF).
 Campo: da 1 a 100 min. Oltre questo valore il display indica "Inf" e la limitazione risulterà sempre inserita.
Nota: il parametro tOL può essere modificato in qualsiasi momento ma il nuovo valore diventerà operativo solo alla successiva accensione dello strumento.
- Hbd **Valore di soglia per l'indicazione della corrente consumata dal carico pilotato tramite l'uscita principale.**
 Questo parametro viene visualizzato solo se P16 è diverso da OFF.
 Campo: All'interno del campo di misura del trasformatore amperometrico (vedere P17).

MESSAGGI DI ERRORE

SEGNALAZIONE ANOMALIA DELLA MISURA

Lo strumento visualizzerà il rilevamento di una condizione di OVERRANGE visualizzando sul display superiore il seguente messaggio



Lo strumento visualizzerà il rilevamento di una condizione di UNDERRANGE visualizzando sul display superiore il seguente messaggio



La rottura del sensore viene segnalata come segue:

- ingresso TC/mV : OVERRANGE o UNDERRANGE selezionabile tramite ponticello (vedere Fig. 12).
- ingresso RTD : OVERRANGE

Per l'ingresso RTD, lo strumento segnala una condizione di OVERRANGE quando la resistenza di ingresso risulta inferiore a 15 ohm (rilevazione del cortocircuito del sensore).

NOTA: quando:

- lo strumento è programmato per utilizzare una sola uscita regolante ed ha rilevato una condizione di OVERRANGE, l'uscita 1 viene forzata a zero (per azione inversa) oppure a 100% (per azione diretta).

- lo strumento è programmato per utilizzare due uscite regolanti ed ha rilevato una condizione di OVERRANGE, l'uscita 1 viene forzata a zero mentre l'uscita 2 viene forzata a 100%.
- lo strumento è programmato per utilizzare una sola uscita regolante ed ha rilevato una condizione di UNDERRANGE, l'uscita 1 viene forzata a 100% (per azione inversa) oppure a zero (per azione diretta).
- lo strumento è programmato per utilizzare due uscite regolanti ed ha rilevato una condizione di UNDERRANGE, l'uscita 1 viene forzata a 100% mentre l'uscita 2 viene forzata a zero.

SEGNALAZIONI DI ERRORE

Lo strumento prevede alcuni algoritmi di auto-diagnostica.

Nel caso in cui questi algoritmi rivelassero un malfunzionamento, lo strumento visualizzerà la scritta "Err" sul display inferiore mentre il codice dell'errore rilevato viene visualizzato sul display superiore.

LISTA ERRORI

- | | |
|-----------|--|
| 100 | Errore di scrittura in memoria EEPROM. |
| 150 | Errore generico sulla CPU. |
| 200 | Tentativo di scrittura con memoria in condizione protetta. |
| 201 - 2xx | Errore di configurazione dei parametri; le due cifre meno significative indicano il numero del parametro errato. |
| 301 | Errore nei dati di calibrazione per ingresso da termoresistenza. |
| 305 | Errore nei dati di calibrazione per ingresso da termocoppia. |
| 307 | Errore nei dati di calibrazione giunto di riferimento. |
| 310 | Errore nei dati di calibrazione ingresso da trasformatore amperometrico. |
| 400 | Errore nei parametri di regolazione |
| 500 | Errore durante la misura di auto-zero. |
| 502 | Errore durante la misura del giunto di riferimento. |
| 510 | Errore generico durante la calibrazione. |

NOTA

- 1) per gli errori riferiti ai parametri di configurazione è sufficiente ripetere la configurazione del parametro in questione.
- 2) per l'errore 400 premere contemporaneamente i tasti ▼ e ▲ per caricare i parametri predefiniti e, successivamente, ripetere le impostazioni dei parametri di controllo.
- 3) per tutti gli altri errori, contattare il fornitore.

CARATTERISTICHE TECNICHE

SPECIFICHE TECNICHE

Custodia: PC-ABS di colore nero; grado di auto-estinguenza: V-0 secondo UL 94.

Protezione frontale- Il prodotto è stato progettato e verificato per garantire una protezione IP 65 (*) e NEMA 4X per uso in luogo coperto.

(* le verifiche sono state eseguite in accordo gli standard CEI 70-1 e NEMA 250-1991.

Installazione: Montaggio a pannello

Morsettiere posteriore: 21 terminali a vite (vite M3 per cavi da ϕ 0.25 a ϕ 2.5 mm² o da AWG 22 a AWG 14) con diagrammi di collegamento e copri morsettiere di sicurezza.

Dimensioni: secondo DIN 43700 48 x 96 mm, profondità 89 mm.

Peso: 600 g.

Alimentazione:

- da 100V a 240V c.a. 50/60Hz (-15% a + 10% del valore nominale).

- 24 V c.c./c.a. (+ 10 % del valore nominale).

Autoconsumo: 6 VA max.

Resistenza di isolamento: > 100 M Ω secondo IEC 1010-1.

Rigidità dielettrica: 1500 V rms secondo IEC 1010-1.

Intervallo di campionamento: 500 ms.

Risoluzione: 30000 conteggi.

Precisione: + 0,2% v.f.s. + 1 digit @ 25 °C di temperatura ambiente.

Reiezione di modo comune: 120 dB a 50/60 Hz.

Reiezione di modo normale: 60 dB a 50/60 Hz.

Compatibilità elettromagnetica e normative di

sicurezza: Questo strumento è marcato CE e pertanto è conforme alle direttive 89/336/EEC (standard armonizzato di riferimento EN 50081-2 e EN 50082-2) ed alle direttive 73/23/EEC e 93/68/EEC (standard armonizzato di riferimento

EN 61010-1)

Categoria di installazione: II

Deriva termica: (CJ esclusa)

< 400 ppm/°C per ingresso da termocoppia T e da RTD con scala -19,9/99,9°C.

< 200 ppm/°C per gli altri ingressi.

Temperatura di funzionamento: da 0 a 50 °C.

Temperatura di immagazzinamento: -20 a +70°C

Umidità: da 20 % a 85% RH, senza condensa.

Protezioni:

- 1) WATCH DOG circuito per il restart automatico.
- 2) DIP SWITCH per la protezione dei parametri di configurazione e calibrazione.

INGRESSI

A) TERMOCOPPIE

Tipo: L -J -K -T -N , °C/°F selezionabile.

Resistenza esterna: max. 100 Ω , con errore massimo pari a 0,1% dell'ampiezza del campo selezionato.

Burn out: segnalata come condizione di overrange (standard). Tramite ponticelli è possibile selezionare la condizione di underrange.

Giunto freddo: compensazione automatica da 0 a 50 °C.

Precisione giunto freddo: 0.1 °C/°C

Impedenza di ingresso: > 1 M Ω

Calibrazione: secondo IEC 584-1 e DIN 43710 - 1977.

TABELLA SCALE STANDARD

Tipo TC	Scale	
	°C	°F
L	0 / + 800	0 / + 999
J	0 / + 800	0 / + 999
K	0 / + 999	0 / + 999
T	0 / + 400	0 / + 752
N	0 / + 999	0 / + 999

B) RTD (Resistance Temperature Detector)**Tipo:** Pt 100 a 3 fili.**Corrente:** 135 μ A.**Resistenza di linea:** Compensazione automatica fino a 20 Ω /filo con :

- errore <+0.1% dell'ampiezza del campo di ingresso per il campo -19.9 a 99.9 °C.
- errore non misurabile per tutti gli altri campi.

Unità Ingegneristiche: °C o °F programmabile.**Burn-out:** a fondo scala. **NOTA:** Uno speciale controllo produce una segnalazione di OVERRANGE quando la resistenza di ingresso è inferiore a 15 Ω .**Calibrazione:** secondo DIN 43760

TABELLA SCALE STANDARD

Tipo di RTD	Campo di misura	
RTD Pt 100	-199 - +500 °C	-199 - +999 °F
RTD Pt 100	-19.9 - +99.9 °C	-----

C) INGRESSO DA**TRASFORMATORE AMPEROMETRICO****Corrente di Ingresso :** 50 mA c.a.**Visualizzazione :** selezionabile tra 10, 25, 50 oppure 100 A.**Risoluzione :**

- per la portata 10 A : 0.1 A.
- Per le altre portate : 1 A.

Periodo attivo:

- per uscita a relè : NO o NC programmabile
- Per uscita comando SSR : livello logico 1 oppure 0 programmabile.

Minima durata del periodo attivo: 50 ms.**AZIONI DI CONTROLLO****Azione regolante:** PID o SMART**Banda proporzionale:** da 1.0 % (se si utilizza una sola uscita regolante) oppure 1.5 % (se si utilizzano due uscite regolanti) a 99.9 % dell'ampiezza del campo di ingresso.

Impostando Pb = 0 la regolazione è del tipo ON/OFF.

Isteresi (per controllo ON/OFF): da 0.1 % a 10.0 % dell'ampiezza del campo di ingresso.**Tempo integrale:** da 10'' a 20' ; risoluzione 10 secondi. Impostando un valore superiore ai 20 minuti l'azione integrale risulterà esclusa.**Tempo derivativa:** da 0 a 9' 59''.**Precarica dell'integrale:**

- da 0 a 100 % per un'uscita regolante.
- da -100 a 100% per due uscite regolanti .

Tempo di ciclo dell'uscita principale: da 1 a 200 s.**Tempo di ciclo uscita raffreddamento:** da 1 a 200 s.**Guadagno relativo dell'azione di raffreddamento:** da 0.20 a 1.00 .**NOTA :** è possibile limitare i parametri PB, TI, TD e RCG quando la funzione SMART è abilitata.**Sovrapposizione/banda morta:**

da - 20 % a 50 %

USCITE REGOLANTI**Tipo:** tempo proporzionale.**Tempo di aggiornamento:** 500 ms**Risoluzione dell'uscita:** 1% dell'ampiezza del campo.**Azione:** diretta o inversa programmabile.**Limitatoe della potenza di uscita:**

- per una uscita regolante: da 0.0 a 100.0 % .
- per due uscite regolanti: da -100.0 a +100.0%

Questa funzione può essere operativa all'accensione dello strumento per un tempo programmabile (per evitare shock termici oppure preriscaldare l'impianto).

USCITA

- a) Uscita a relè con contatto SPDT;
Portata contatto 3A/250V c.a. su carico resistivo.
- b) Tensione logica per SSR.
Stato logico 1: 24V +20% @1mA.
14V +20% @20mA
Stato logico 0: <0.5V

Azione dell'uscita: diretta/inversa programmabile. La selezione tra uscita a relè o tensione logica viene effettuata tramite ponticello e parametro di configurazione.

Uscita 2 - Raffreddamento o allarme 1

- a) Uscita a relè con contatto SPST;
Portata contatto 2A/250V c.a. su carico resistivo.
- b) Tensione logica per SSR.
Stato logico 1: 24V +20% @1mA.
14V +20% @20mA
Stato logico 0: <0.5V

La selezione tra uscita a relè o tensione logica viene effettuata tramite ponticelli.

ALLARMI

Lo strumento può essere fornito di due allarmi indipendenti.

L'allarme 1 è una funzione standard di questo apparecchio mentre l'allarme 2 è opzionale. Ogni allarme può essere configurato nei seguenti modi :

Allarmi di processo:

Modo operativo: di massima o di minima.

Soglia: programmabile in unità ingegneristiche all'interno del campo di ingresso (P3 - P2).

Allarmi di banda

Modo operativo: dentro o fuori banda.

Soglia: programmabile da 0 a 500 unità.

Allarmi di deviazione

Modo operativo: sotto o sopra il valore programmato.

Soglia: programmabile da - 500 a +500 unità.

Azione: diretta o inversa programmabile

Risoluzione della soglia: 1 digit.

Isteresi di allarme: programmabile da 0.1 % a 10.0 % dell'ampiezza del campo di ingresso.

Riarmo allarmi: automatico o manuale programmabile per ogni allarme.

Mascheratura allarmi: ogni allarme può essere programmato con o senza la mascheratura.

Questa funzione consente di eliminare false indicazioni di allarme all'accensione o dopo la modifica del set point.

Indicazione di allarme: il LED AL1/COOL è acceso quando l'allarme è in condizione ON.

Il LED AL2/HBD si comporterà come indicato nella tabella seguente

HBD stato	AL2 stato	LED AL2/HBD
0	0	OFF
0	1	ON
1	0	lampeggia lentamente
1	1	lampeggia velocemente

Uscite di allarme:

- 1) allarme 1 : Uscita a relè con contatto SPST; Portata contatto 3A/250V c.a. su carico resistivo.
- 2) allarme 2 : Uscita a relè con contatto SPST; Portata contatto 2A/250V c.a. su carico resistivo.

NOTA: le funzioni Allarme 2 e HBD sono in OR sull'uscita 2.

ALLARME DI MALFUNZIONAMENTO CARICO

Questo ingresso opzionale consente di misurare, tramite trasformatore amperometrico, la corrente circolante nel carico principale durante il periodo attivo dell'uscita 1 e di generare una indicazione di allarme qualora questo valore risultasse inferiore ad una soglia programmabile (l'uscita di allarme è in OR con l'allarme 2).

Risoluzione della soglia: 1 digit.

Isteresi di allarme: 1 % del campo selezionato.

Indicazione di allarme: Il LED 'AL2 HB' lampeggia in condizione ON.

FUNZIONI SPECIALI

Inibizione del segnale di uscita.

Questa funzione consente di forzare a zero la potenza delle uscite regolanti e di inibire l'algoritmo di controllo e la funzione degli allarmi. In questo modo si toglie potenza all'elemento regolante mentre lo strumento opererà come un semplice indicatore.

In questo modo è quindi possibile verificare il comportamento della variabile anche quando il carico è disattivato.

Quando viene riattivata l'azione regolante, lo strumento si comporterà nel seguente modo:

- la componente integrale del segnale di uscita verrà posta a zero,
- la funzione soft start e la mascheratura degli allarmi verranno riattivate.

LAMP TEST

questa funzione consente di verificare la funzionalità del display

MANUTENZIONE

- 1) TOGLIERE TENSIONE ALL'APPARECCHIO (alimentazione, uscite a relè, ecc),
- 2) Sfilare lo strumento dalla custodia
- 3) Facendo uso di un aspiratore o un getto di aria compressa a bassa pressione (max. 3 kg/cm²) rimuovere eventuali depositi di polvere e sporczia dalle feritoie di ventilazione e dai circuiti facendo attenzione a non danneggiare i componenti.
- 4) Per pulire le parti esterne in plastica o gomma usare solamente uno straccio pulito ed inumidito con:
 - alcool etilico (puro o denaturato) [C₂H₅OH]
 - alcool isopropilico (puro o denaturato) [(CH₃)₂CHOH]
 - Acqua (H₂O)
- 5) Controllare che non vi siano morsetti allentati
- 6) Prima di reinserire lo strumento nella sua custodia assicurarsi che l'apparecchio sia perfettamente asciutto.
- 7) Reinserire l'apparecchio e ridare tensione.

DEFAULT PARAMETERS

DEFAULT OPERATIVE PARAMETERS

The control parameters can be loaded with predetermined default values. These data are the typical values loaded in the instrument prior to shipment from factory. To load the default values proceed as follows:

- The internal switch should be closed.
- The SMART function should be disabled.
- The upper display will show the process variable while the lower display will show the set point value or the current measure.
- Held down ▼ pushbutton and press ▲ pushbutton; the display will show:



A rectangular display showing the text "OFF" on the top line and "DFL" on the bottom line.

- Within 10 seconds press ▲ or ▼ pushbutton. The display will show:



A rectangular display showing the text "On" on the top line and "DFL" on the bottom line.

- Press FUNC pushbutton; the display will show:



A rectangular display showing the text "L. d t." on the top line.

This means that the loading procedure has been initiated. After about 3 seconds the loading procedure is terminated and the instrument reverts to NORMAL DISPLAY mode.

The following is a list of the default operative parameters loaded during the above procedure:

PARAMETER	DEFAULT VALUE
SP	= minimum range-value
n.rS	= OFF
nnn	= OFF
A1, A2	= minimum range-value for process alarms 0 for deviation or band alarms
H1, H2	= 0.1 %
Pb	= 4.0 %
hS	= 0.5 %
ti	= 04.0 (4 minutes)
td	= 1.00 (1 minute)
IP	= 30 % for 1 control outputs 0 % for two control outputs
C	= 20 seconds for relay output 2 seconds for SSR output
C2	= 10 seconds for P6 = Alr 4 seconds for P6 = OIL 2 seconds for P6 = H2O
rC	= 1.00 for P6 = Alr 0.80 for P6 = OIL 0.40 for P6 = H2O
OLP	= 0
rL	= initial scale value
rH	= full scale value
rP	= infinite (step transfer)
OLH	= 100 %
tOL	= infinite
Hbd	= 50 % of the full scale value.

A.1

DEFAULT CONFIGURATION PARAMETERS

The configuration parameters can be loaded with predetermined default values. These data are the typical values loaded in the instrument prior to shipment from factory. To load the default values proceed as follows:

- The internal switch (V2, see fig. 13) should be open.
- The upper display will show:

C n F

- Push the ▼ pushbutton; the lower display will show the firmware version.

C n F
A. 0 1

- Maintaining the pressure on the ▼ pushbutton push the ▲ pushbutton also. The instrument will show

O F F
d F L

- Press ▲ pushbutton to select between table 1 (european) or table 2 (american) default parameter set. The display will show:

t b. 1
d F L

- Press FUNC pushbutton; the display will show:

L. d t.

This means that the loading procedure has been initiated. After about 3 seconds the loading procedure is terminated and the instrument reverts to visualization as in point b).

The following is a list of the default parameters loaded during the above procedure:

PARAMETER	TABLE 1	TABLE 2
P1	1	9
P2	0 °C	0 °F
P3	400 °C	999 °F
P4	H	H
P5	rEL	rEL
P6	Air	Air
P7	1	1
P8	HA	HA
P9	OFF	OFF
P10	0	0
P11	HA	HA
P12	OFF	OFF
P13	0	0
P14	0	0
P15	0	0
P16	OFF	OFF
P17	10 A	10 A
P18	0	0
P19	rEv	rEv



P21	dir	dir
P22	dir	dir
P23	OFF	OFF
P24	10	10
P25	ON	ON
P26	2	2
P27	30.0	30.0
P28	1.0	1.0
P29	1.5	1.5
P30	00.3	00.3
P31	10	10











divisione di EURO THERM S.r.l

Via E. Mattei, 21

28100 Novara

Italy

Tel. +39 0321481111

Fax +39 0321481112

E-mail eroservice@eurotherm.it

[Http://www.eroelectronic.com](http://www.eroelectronic.com)

